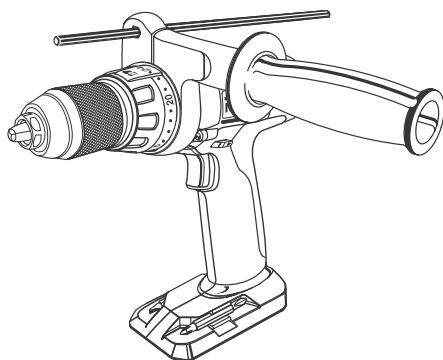


RYOBI®

CDI-1803M

(F)	PERCEUSE-VISSEUSE À PERCUSSION SANS FIL 3 VITESSES	MANUEL D'UTILISATION	1
(GB)	CORDLESS 3-SPEED IMPACT DRILL DRIVER	USER'S MANUAL	5
(D)	AKKU-SCHLAGBOHRMASCHINE-/SCHRAUBER MIT 3 STUFEN	BEDIENUNGSANLEITUNG	9
(E)	TALADRADORA-ATORNILLADORA DE PERCUSIÓN INALÁMBRICA 3 VELOCIDADES	MANUAL DE UTILIZACIÓN	13
(I)	TRAPANO AVVITATORE A PERCUSSIONE A BATTERIA 3 VELOCITÀ	MANUALE D'USO	17
(P)	BERBEQUIM-APARAFUSADORA DE PERCUSSÃO SEM FIO 3 VELOCIDADES	MANUAL DE UTILIZAÇÃO	21
(NL)	ACCU KLOPBOOR-SCHROEFMACHINE MET 3 SNELHEDEN	GEBRUIKERSHANDLEIDING	25
(S)	SLADDLÖS SLAGBORRMASKIN / SKRUVDRAGARE MED 3 HASTIGHETER	INSTRUKTIONSBOK	29
(DK)	BATTERIDREVEN SLAGBORE-SKRUEMASKINE MED 3 HASTIGHEDER	BRUGERVEJLEDNING	33
(N)	OPPLADBAR SLAGBOREMASKIN / SKRUTREKKER-3 HASTIGHETER	BRUKSANVISNING	37
(FIN)	3-NOPEUKSINEN JOHDOTON ISKUPORAKONE/RUUVITALTTA	KÄYTTÄJÄN KÄSIKIRJA	41
(GR)	ΕΠΑΝΑΦΟΡΤΙΖΟΜΕΝΟ ΚΡΟΥΣΤΙΚΟ ΔΡΑΠΑΝΟΚΑΤΣΑΒΙΔΟ 3 ΤΑΧΥΤΗΤΩΝ	ΟΔΗΓΙΕΣ ΧΡΗΣΗΣ	45
(HU)	ÚTVEFÚRÓ / CSAVAROZÓ GÉP, 3 SEBESSÉGES, VEZETÉK NÉLKÜLI	HASZNÁLATI ÚTMUTATÓ	49
(CZ)	AKUMULÁTOROVÝ VRTACÍ ŠROUBOVÁK S PŘÍKLEPEM 3 RYCHLOSTI	NÁVOD K OBSLUZE	53
(RU)	ТРЕХСКОРОСТНАЯ АККУМУЛЯТОРНАЯ УДАРНАЯ ДРЕЛЬ-ШУРУПОВЕРТ	РУКОВОДСТВО ПО ЭКСПЛУАТАЦИИ	57
(RO)	MAȘINĂ DE GĂURIT-ÎNȘURUBAT CU PERCUȚIE CU 3 VITEZE FĂRĂ FIR	MANUAL DE UTILIZARE	61
(PL)	UDAROWA BEZPRZEWODOWA WIERTARKO-WKRĘTARKA 3-BIEGOWA	INSTRUKCJA OBSŁUGI	65
(SLO)	BATERIJSKI TRISTOPENJSKI UDARNI VRTALNIK IN VIJAČNIK	UPORABNIŠKI PRIROČNIK	69
(HR)	BEŽIČNA UDARNA BUŠILICA-ZAVRTAČ S 3 BRZINE	KORISNIČKI PRIRUČNIK	73
(TR)	ÜÇ AŞAMALI KABLOSUZ VURUŞLU BURGU MATKAP	KULLANMA KILAVUZU	77



CE

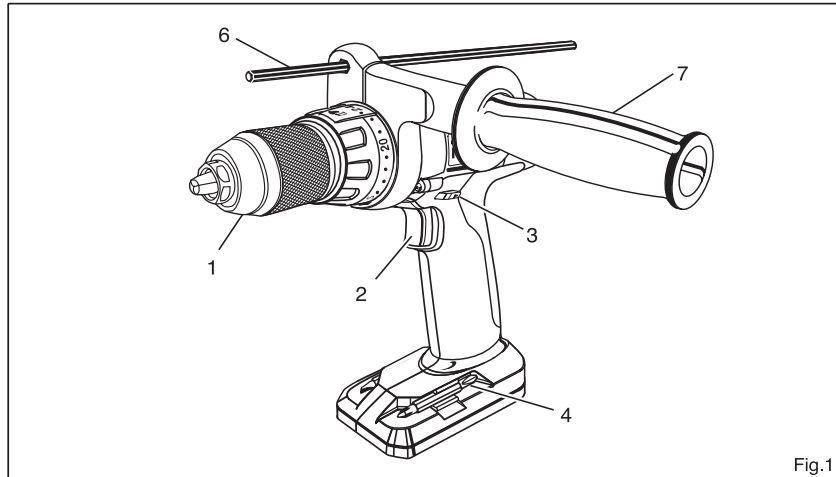


Fig.1

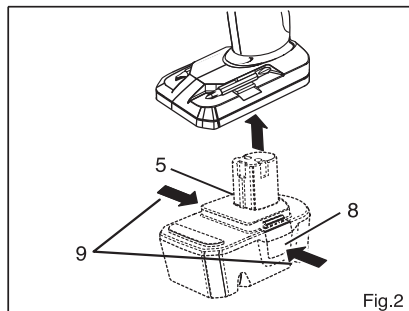


Fig.2

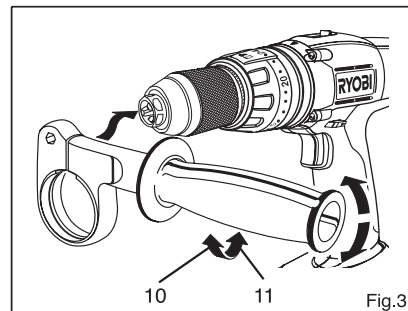


Fig.3

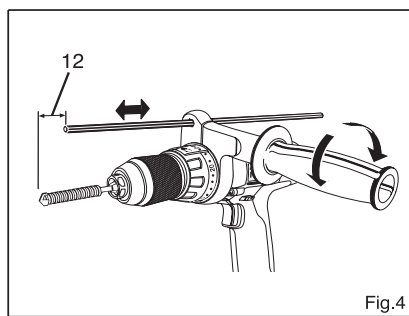


Fig.4

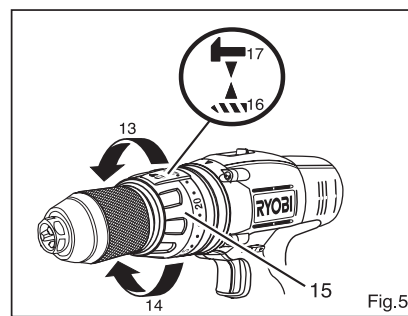
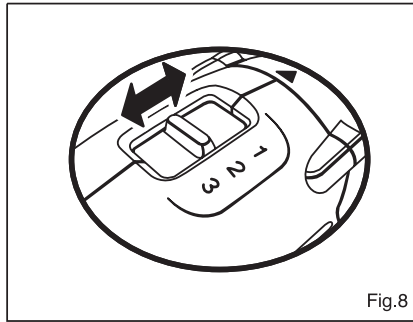
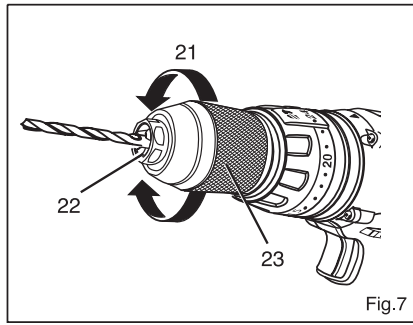
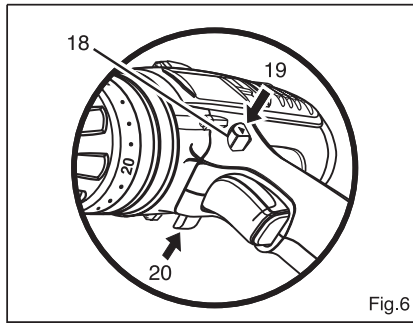


Fig.5



Attention !	Il est indispensable que vous lisiez les instructions contenues dans ce manuel avant le montage et la mise en service de l'appareil.
Important!	It is essential that you read the instructions in this manual before mounting and operating this machine.
Achtung!	Bitte lesen Sie unbedingt vor Montage und Inbetriebnahme die Hinweise dieser Bedienungsanleitung.
¡Atención!	Es imprescindible que lea las instrucciones de este manual antes del montaje y de la puesta en servicio.
Attenzione!	Prima di procedere al montaggio e alla messa in funzione, è indispensabile leggere attentamente le istruzioni del presente manuale.
Atenção!	É indispensável ler as instruções deste manual antes de montar e pôr em serviço.
Let op !	Het is absoluut noodzakelijk vóór montage en inbedrijfstelling de aanwijzingen in deze handleiding te lezen.
Observera!	Det är nödvändigt att läsa instruktionerna i denna bruksanvisning före montering och driftsättning.
OBS!	Denne brugsanvisning skal læses igennem inden montering og ibrugtagning.
Advarsel!	Vennligst les instruksjonene i denne bruksanvisningen før du monterer og tar i bruk maskinen.
Huomio!	On ehdottoman välttämätöntä lukea tässä käyttöohjeessa annetut ohjeet ennen asennusta ja käyttöönottoa.
Προσοχή!	Είναι απαραίτητο να διαβάσετε τις συστάσεις των οδηγιών αυτών πριν τη συναρμολόγηση και τη θέση σε λειτουργία
Figyelem!	Feltétlenül fontos, hogy a jelen használati útmutatóban foglalt előírásokat az összeszerelés és az üzembe helyezés előtt elolvassa!
Důležitá upozornění!	Před montáží nářadí a uvedením do provozu je nutné si přečíst následující pokyny.
Внимание!	Перед сборкой и запуском инструмента необходимо прочесть инструкции из настоящего руководства.
Atenție!	Este indispensabil să citiți instrucțiunile conținute în acest mod de utilizare înainte de montaj și de punerea în funcțiune.
Uwaga!	Przed montowaniem i uruchomieniem, koniecznie musicie się Państwo zapoznać z zaleceniami zawartymi w niniejszym sposobie użycia.
Pomembno!	Zelo pomembno je, da pred namestitvijo in prvo uporabo te naprave preberete navodila v tem priručniku.
Upozorenje!	Važno je da upute u ovom Korisničkom priručniku pročitate prije postavljanja i uporabe ovog alata.
Dikkat!	Montajdan ve aletin kullanımına başlamadan bu kılavuzda bulunan talimatları okumanız gerekmektedir.

Sous réserve de modifications techniques / Subject to technical modifications / Technische Änderungen vorbehalten /
 Bajo reserva de modificaciones técnicas / Con riserva di eventuali modifiche tecniche / Com reserva de modificações técnicas /
 Technische wijzigingen voorbehouden / Med förbehåll för tekniska ändringar / Med forbehold for tekniske ændringer /
 Med forbehold om tekniske ændringer / Tekniset muutokset varataan / Υπό την επιφύλαξη τεχνικών τροποποιήσεων /
 A műszaki módosítás jogát fenntartjuk / Změny technických údajů vyhrazeny / Могут быть внесены технические изменения /
 Sub rezerva modificatilor tehnice / Z zastrzežením modyfikacji technicznych / Tehnične spremembe dopuščene
 Podložno tehničkim promjenama / Teknik düzeltmeler hakkı saklıdır

F GB D E I P NL S DK N FIN GR H CZ RUS RO PL SLO HR TR

English

RULES FOR SAFE OPERATION



WARNING

When using battery operated tools, basic safety precautions should always be followed to reduce the risk of fire, leaking batteries and personal injury, including the following: Read all these instructions before operating this product and save these instructions.

- **Keep your work area clean and well lit.** Cluttered benches and dark areas invite accidents.
- **Consider work area environment.** Do not expose tools to rain. Do not use tools in damp or wet locations. Do not use tools where there is risk to cause fire or shock.
- **Do not operate power tools in explosive atmospheres, such as in the presence of flammable liquids, gases, or dust.** Power tools create sparks which may ignite the dust or fumes.
- **Keep bystanders, children, and visitors away while operating a power tool.** Distractions can cause you to lose control.
- **Stay alert, watch what you are doing and use common sense when operating a power tool. Do not use tool while tired or under the influence of drugs, alcohol, or medication.** A moment of inattention while operating power tools may result in serious personal injury.
- **Dress properly. Do not wear loose clothing or jewelry.** Contain long hair. Keep your hair, clothing, and gloves away from moving parts. Loose clothes, jewelry, or long hair can be caught in moving parts.
- **Do not abuse the supply cord.** Never carry the charger by the cord or yank it to disconnect it from the socket. Keep the cord away from heat, oil and sharp edges.
- **Secure work.** Use clamps or a vice to hold the work. It is safer than using your hand and it frees both hands to operate the tool.
- **Maintain tool with care.** Keep cutting tools sharp and clean for better and safer performance. Follow instructions for lubrication and changing accessories. Inspect tool cord periodically and if damaged have it repaired by an authorized service facility. Keep handles dry, clean and free from oil and grease.
- **Check damaged parts. Before further use of the tool, a guard or other part that is damaged should be carefully checked to determine that it will operate properly and perform its intended function.**
- **Check for alignment of moving parts, free running of moving parts, breakage of parts, mounting and any other conditions that may affect its operation.** A guard or other part that is damaged should be properly repaired or replaced by an authorized service centre unless otherwise indicated in this instruction manual. Have defective switches replaced by an authorized service facility. Do not use the tool if the switch does not turn it on and off.
- **Avoid accidental starting. Be sure switch is in the locked or off position before inserting battery pack.** Carrying tools with your finger on the switch or inserting the battery pack into a tool with the switch on, invites accidents.
- **Do not overreach. Keep proper footing and balance at all times.** Proper footing and balance enable better control of the tool in unexpected situations. Do not use on a ladder or unstable support.
- **Use safety equipment. Always wear eye protection.** Dust mask, nonskid safety shoes, hard hat, or hearing protection must be used for appropriate conditions.
- **Do not force tool. Use the correct tool for your application.** The correct tool will do the job better and safer at the rate for which it is designed.
- **Disconnect battery pack from tool or place the switch in the lock off position before making any adjustments, changing accessories, or storing the tool.** Such preventive safety measures reduce risk of starting the tool accidentally.
- **Store idle tools out of reach of children and other untrained persons.** Tools are dangerous in the hands of untrained users.
- **Use only accessories that are recommended by the manufacturer for your model.** Accessories that may be suitable for one tool, may create a risk of injury when used on another tool.
- **When servicing a tool, use only identical replacement parts.** Use of unauthorized parts or failure to follow Maintenance Instructions may create a risk of shock or injury.
- **Have your tool repaired by a qualified person.** This tool is in accordance with the relevant safety requirements. Repairs should only be carried out by qualified persons using original spare parts, otherwise this may result in considerable danger to the user.
- **Battery tools do not have to be plugged into an electrical outlet; therefore, they are always in operating condition.** Be aware of possible hazards when not using your battery tool or when changing accessories. Following this rule will reduce the risk of electric shock, fire, or serious personal injury.

F **GB** D E I P NL S DK N FIN GR H CZ RUS RO PL SLO HR TR

English

RULES FOR SAFE OPERATION

- **If under abusive conditions, liquid is ejected from the battery, avoid contact.** If this accidentally occurs, flush with water. If liquid contacts eyes additionally, seek medical help.
- **Do not place battery tools or their batteries near fire or heat.** This will reduce the risk of explosion and possibly injury.



WARNING

Batteries vent hydrogen gas and can explode in the presence of a source of ignition, such as a pilot light. To reduce the risk of serious personal injury, never use any cordless product in the presence of open flame. An exploded battery can propel debris and chemicals. If exposed, flush with water immediately.

SPECIFICATIONS

Model	CDI-1803M
Voltage	18 V
Chuck	13 mm
Switch	Variable speed
No load speed (drill mode):	
- Lo speed	0 - 370 min ⁻¹
- Hi speed	0 - 750 min ⁻¹
- Super-Hi speed	0 - 2200 min ⁻¹
No load speed (impact mode):	
- Lo speed	0 - 5920 min ⁻¹
- Hi speed	0 - 12000 min ⁻¹
- Super-Hi speed	0 - 35200 min ⁻¹
Max. Torque	55 Nm
Weight - incl. battery pack	3 kg
Battery pack (not included):	BPP-1817M/BPP-1815M
Charger (not included)	BC-1800/BC-1815-S

FEATURES

1. Keyless chuck
2. Switch trigger
3. Direction of rotation selector (Forward/Reverse)
4. Screwdriver bits
5. Battery pack (not included)
6. Depth gauge Rod
7. Auxiliary handle
8. Latches
9. Depress latches to release battery pack
10. To Tighten
11. To Loosen

12. Drilling Depth
13. To Decrease torque
14. To Increase torque
15. Torque adjusting Ring
16. Drill mode
17. Impact mode
18. Forward / Reverse selector
19. Reverse
20. Forward
21. Unlock (release)
22. Chuck jaws
23. Lock (tighten)

OPERATION

TO INSTALL BATTERY PACK (NOT INCLUDED)

- Lock switch trigger on your drill by placing the direction of rotation selector in center position. *See Figure 6.*
- Place battery pack in your drill. Align raised rib on battery pack with groove inside drill. *See Figure 2.*
- Make sure the latches on battery pack snap in place and battery pack is secured in drill before beginning operation.

TO REMOVE BATTERY PACK (NOT INCLUDED)

- Lock switch trigger on your drill by placing the direction of rotation selector in center position. *See Figure 6.*
- Locate latches of battery pack and depress to release battery pack from your drill. *See Figure 2.*
- Remove battery pack from your drill.

ADJUSTING THE AUXILIARY HANDLE

See Figure 3.

Follow these steps to adjust the auxiliary handle.

- Loosen the auxiliary handle by turning the knob counterclockwise.
- Rotate the auxiliary handle to the desired location.
- Tighten the auxiliary handle securely by turning the knob clockwise.

ADJUSTING THE DEPTH GAUGE ROD

See Figure 4.

Follow these steps to adjust the depth gauge rod.

- Lock the trigger switch by placing the rotation selector in the center position.
- Loosen the auxiliary handle by turning the knob counterclockwise.



English

OPERATION

- Adjust the depth gauge rod so that the drill bit extends beyond the end of the rod to the required drilling depth.
- Tighten the auxiliary handle by turning the knob clockwise.

ADJUSTING THE TORQUE

See Figure 5.

The tool is equipped with an adjustable torque clutch for driving different types of screws into different materials. Adjust the torque as necessary.

We recommend that you use carbide-tipped bits and select impact mode when drilling in hard material such as brick, tile, concrete, etc.



CAUTION

The impact drill is not designed for reverse hammering. Failure to obey this caution may result in property damage.

SWITCH

See Figure 6.

- To turn your drill ON, depress the switch trigger.
- To turn it OFF, release the switch trigger.

VARIABLE SPEED

This tool has a variable speed switch that delivers higher speed and torque with increased trigger pressure. Speed is controlled by the amount of switch trigger depression.

SWITCH LOCK

See Figure 6.

The switch trigger can be locked in the OFF position. This feature can be used to prevent the possibility of accidental starting when not in use. To lock switch trigger, place the direction of rotation selector (Forward/Reverse Selector) in center position.

Note: When selector is in center position, switch trigger is locked.

REVERSIBLE

See Figure 6.

This tool has the feature of being reversible. The direction of rotation is controlled by a selector located above the switch trigger. With the drill held in normal operating position, the direction of rotation selector should be positioned to the left of the switch for drilling. The drilling direction is reversed when the selector is to the right of the switch.

When the selector is in center position, the switch trigger is locked. To stop, release switch trigger and allow the chuck to come to a complete stop.

ELECTRIC BRAKE

This drill has an electric brake. When the trigger switch is released, the chuck stops turning. When the brake is functioning properly, sparks will be visible through the vent slots on the housing. This is normal and is the action of the brake.

ADJUSTING THE SPEED

See Figure 8.

Follow these steps to adjust the speed.

- For super high speed: Slide the three-speed gear train switch to "3".
- For high speed: Slide the three-speed gear train switch to "2".
- For low speed: Slide the three-speed gear train switch to "1".

Note: If you have difficulty changing from one gear range to the other, turn the chuck by hand until the gears engage.



CAUTION

To prevent gear damage, always allow chuck to come to a complete stop before changing the speed or the direction of rotation.

KEYLESS CHUCK

See Figure 7.

Your drill has a keyless chuck. As the name implies, you can hand tighten or release drill bits in the chuck jaws. Rotate the chuck with your hand.

The arrows on the chuck indicate which direction to rotate the chuck body in order to LOCK (tighten) or UNLOCK (release) the drill bit.



WARNING

Do not hold chuck body with one hand and use power of the drill to tighten chuck jaws on drill bit. Chuck body could slip in your hand or your hand could slip and come in contact with rotating drill bit. This could cause an accident resulting in serious personal injury.

F **GB** D E I P NL S DK N FIN GR H CZ RUS RO PL SLO HR TR

English

MAINTENANCE

**WARNING**

When servicing, use only identical replacement parts. Use of any other part may create a hazard or cause product damage.

Avoid using solvents when cleaning plastic parts. Most plastics are susceptible to damage from various types of commercial solvents and may be damaged by their use. Use clean cloths to remove dirt, dust, oil, grease, etc.

**WARNING**

Do not at any time let brake fluids, gasoline, petroleum-based products, penetrating oils, etc. come in contact with plastic parts. They contain chemicals that can damage, weaken or destroy plastic.

Do not abuse power tools. Abusive practices can damage tool as well as workpiece.

**WARNING**

Do not attempt to modify this tool or create accessories not recommended for use with this tool. Any such alteration or modification is misuse and could result in a hazardous condition leading to possible serious personal injury.

F GB **D** E I P NL S DK N FIN GR H CZ RUS RO PL SLO HR TR

Deutsch

SICHERHEITSVORSCHRIFTEN



WARNUNG

Bei der Verwendung von Akku-Geräten müssen die grundlegenden Sicherheitsvorschriften befolgt werden, um das Risiko eines Brandes, einer Körperverletzung und eines Auslaufens von Batterieflüssigkeit zu verringern. Lesen Sie vor der Verwendung dieses Geräts alle Vorschriften durch. Bewahren Sie diese Vorschriften anschließend so auf, dass Sie sie zu einem späteren Zeitpunkt heranziehen können.

- **Der Arbeitsbereich muss sauber und gut beleuchtet sein.** Vollgestellte und dunkle Räume können zu Unfällen führen.
- **Berücksichtigen Sie Ihre Arbeitsumgebung.** Setzen Sie Ihre elektrischen Geräte nicht dem Regen aus. Verwenden Sie elektrische Geräte nie an nassen oder sehr feuchten Orten. Verwenden Sie keine elektrischen Geräte in Räumen, in denen ein Brandrisiko oder die Gefahr eines elektrischen Schlages besteht.
- **Verwenden Sie Ihre elektrischen Geräte nicht in einer explosionsgefährdeten Umgebung, z. B. in der Nähe von brennbaren Flüssigkeiten, Gas oder Staub.** Die Funken von elektrischen Geräten können diese Elemente in Brand setzen oder zu einer Explosion führen.
- **Halten Sie bei der Verwendung eines elektrischen Geräts Kinder und Besucher fern.** Diese können Sie ablenken und dazu führen, dass Sie die Kontrolle über Ihr Gerät verlieren.
- **Blieben Sie stets wachsam. Richten Sie Ihren Blick auf Ihre Arbeit und gehen Sie bei der Verwendung eines elektrischen Geräts stets umsichtig und konzentriert vor.** Verwenden Sie das Gerät nicht, wenn Sie müde sind. Verwenden Sie Ihr Gerät nicht, wenn Sie unter dem Einfluss von Alkohol oder Drogen stehen, oder wenn Sie Medikamente einnehmen. Denken Sie daran, dass nur ein Bruchteil einer Sekunde genügen kann, um eine schwere Verletzung zu verursachen.
- **Tragen Sie geeignete Kleidung. Tragen Sie keine weiten Kleidungsstücke oder Schmuckstücke, die sich in den bewegenden Teilen verfangen können.** Schützen Sie lange Haare durch eine Kopfabdeckung.
- **Achten Sie darauf, dass das Ladegerät in einem einwandfreien Zustand bleibt.** Halten Sie Ihr Ladegerät niemals am Stromkabel und ziehen Sie niemals am Ladegerät oder am Stromkabel, um den Stecker aus der Steckdose zu ziehen. Achten Sie darauf, dass das Stromkabel nicht in die Nähe von Wärmequellen, Öl und anderen scharfkantigen Objekten gerät.
- **Achten Sie darauf, dass das zu bearbeitende Werkstück gut gesichert ist.** Verwenden Sie Schraubzwingen oder einen Schraubstock, um das zu bearbeitende Teil zu fixieren. Dies ist sicherer als das Halten mit der Hand; außerdem bleiben so Ihre beiden Hände zur Verwendung des Geräts frei.
- **Warten Sie Ihr Gerät sorgfältig.** Um beste Ergebnisse und eine optimale Sicherheit zu erzielen, sollten die Geräte stets sauber und geschliffen sein. Schmieren und wechseln Sie die Zubehörteile entsprechend den Anweisungen aus. Lassen Sie es, wenn es beschädigt ist, von einem qualifizierten Techniker bei einem autorisierten Ryobi-Kundendienst reparieren. Achten Sie darauf, dass die Griffe stets trocken und sauber sind und keine Öl- oder Fettsuren aufweisen.
- **Vergewissern Sie sich, dass kein Geräteteil beschädigt ist. Bevor Sie Ihr Gerät weiterverwenden, sollten Sie prüfen, ob ein beschädigtes Teil oder Zubehörteil noch funktioniert oder seine Funktion erfüllt. Kontrollieren Sie die Ausrichtung der beweglichen Teile. Vergewissern Sie sich, dass kein Geräteteil beschädigt ist. Kontrollieren Sie die Montage und alle anderen Elemente, die sich auf den Betrieb des Geräts auswirken können.** Ein beschädigter Klingenschutz oder jedes andere beschädigte Teil muss von einem autorisierten Ryobi-Kundendienst repariert oder ersetzt werden, außer bei einer gegenteiligen Angabe in dieser Benutzungsanleitung. Lassen Sie alle defekten Schalter von einem autorisierten Ryobi-Kundendienst auswechseln. Verwenden Sie das Gerät nicht, wenn der Ein-/Aus-Schalter defekt ist und das Gerät nicht ein- oder ausgeschaltet werden kann.
- **Vermeiden Sie ein versehentliches Einschalten. Vergewissern Sie sich vor dem Einlegen des Akkus, dass der Ein-/Aus-Schalter entweder auf "Aus" steht oder gesperrt ist.** Andernfalls kann es beim Transport des Geräts zu Unfällen kommen, wenn sich Ihr Finger auf dem Ein-/Aus-Schalter befindet oder wenn Sie den Akku einsetzen während der Schalter auf "Ein" steht.
- **Bewahren Sie stets eine Gleichgewichtsposition. Achten Sie auf einen guten Stand und strecken Sie den Arm nicht zu weit aus.** Eine stabile Arbeitsposition trägt im Fall eines unerwarteten Zwischenfalls dazu bei, dass Sie Ihr Gerät besser kontrollieren können. Verwenden Sie Ihr Gerät nicht auf einer Leiter oder einer anderen instabilen Stütze.
- **Tragen Sie geeignete Schutzausrüstungen.** Schützen Sie stets Ihre Augen. Tragen Sie auch eine Staubmaske, rutschfeste Schuhe, einen Helm und/oder einen Gehörschutz, wenn dies notwendig ist.

F GB **D** E I P NL S DK N FIN GR H CZ RUS RO PL SLO HR TR

Deutsch

SICHERHEITSVORSCHRIFTEN

- **Verwenden Sie Ihr Gerät nur auf der vorgesehenen Leistungsstufe.** Verwenden Sie ein geeignetes Gerät für die von Ihnen durchzuführende Arbeit. Ihr Gerät arbeitet effizienter und sicherer, wenn Sie es auf der Stufe verwenden, für die es konzipiert wurde.
- **Entfernen Sie den Akku des Geräts und vergewissern Sie sich, dass der Ein-/Aus-Schalter gesperrt ist oder auf "Aus" steht, bevor Sie Einstellungen vornehmen, Zubehörteile austauschen oder das Gerät aufräumen.** Diese präventiven Sicherheitsmaßnahmen verringern das Risiko eines versehentlichen Einschaltens der Geräte.
- **Ein nicht benutztes Gerät muss an einem trockenen, hoch gelegenen oder mit einem Schlüssel verschlossenen Ort außerhalb der Reichweite von Kindern und allen anderen unerfahrenen Personen aufbewahrt werden.** Die Benutzung von Geräten durch unerfahrene Personen ist gefährlich.
- **Verwenden Sie nur die vom Hersteller für dieses Modell empfohlenen Zubehörteile.** Für ein bestimmtes Gerät geeignete Zubehörteile können eine Gefahr darstellen, wenn sie mit einem anderen Gerät verwendet werden.
- **Bei der Wartung dürfen nur Original-Ersatzteile verwendet werden.** Die Verwendung von nicht zugelassenen Teilen oder das Nichtbefolgen der Wartungsvorschriften kann einen elektrischen Schlag oder schwere Körperverletzungen verursachen.
- **Lassen Sie Ihren Bohrschrauber durch einen qualifizierten Techniker reparieren. Dieses elektrische Gerät erfüllt die gesetzlichen Sicherheitsbestimmungen.** Reparaturen müssen von einem qualifizierten Techniker durchgeführt werden und es dürfen nur Original-Ersatzteile verwendet werden. Die Missachtung dieser Vorschrift kann zu einer Gefährdung des Bedieners führen.
- **Denken Sie daran, dass Akku-Geräte immer funktionsbereit sind, da sie nicht an eine Steckdose angeschlossen werden müssen. Denken Sie an die mit Akkugeräten verbundenen Risiken, wenn diese nicht verwendet werden, sowie beim Austausch von Zubehörteilen.** Beachten Sie stets die Sicherheitshinweise, um das Risiko eines Brandes, eines elektrischen Schlages und die Verletzungsgefahr zu verringern.
- **Vermeiden Sie jeden Kontakt mit der Akku-Flüssigkeit, falls bei einer Verwendung unter extremen Bedingungen Flüssigkeit verspritzt wird.** Suchen Sie sofort einen Arzt auf, wenn Flüssigkeit in die Augen geraten ist.

- **Legen Sie ein Akku-Gerät oder einen Akku niemals in der Nähe eines Feuers oder einer Wärmequelle ab.** Sie verringern so die Explosions- und Verletzungsrisiken.



WARNUNG

Akkus, die Wasserstoff freigegeben, können in der Nähe einer Entzündungsquelle, wie z. B. einer Leuchtanzeige, explodieren. Um das Risiko von schweren Körperverletzungen zu verringern, darf ein Akku-Gerät niemals in der Nähe einer offenen Flamme eingesetzt werden. Bei Explosion eines Akkus können Teile und chemische Produkte weggeschleudert werden. In diesem Fall muss der betroffene Bereich sofort mit klarem Wasser abgespült werden.

TECHNISCHE DATEN

Modell	CDI-1803M
Spannung	18 V
Leistung des Bohrfutters	13 mm
Ein-/Aus-Schalter	Variable Drehzahl
Leerlaufdrehzahl (Schlagbohrmodus):	
- Stufe 1	0 - 370 min ⁻¹
- Stufe 2	0 - 750 min ⁻¹
- Stufe 3	0 - 2200 min ⁻¹
Leerlaufdrehzahl (Bohrmodus):	
- Stufe 1	0 - 5920 min ⁻¹
- Stufe 2	0 - 12000 min ⁻¹
- Stufe 3	0 - 35200 min ⁻¹
Max. Drehmoment	55 Nm
Gewicht, mit Akku	3 kg
Akkuv (nicht im Lieferumfang):	BPP-1817M/BPP-1815M
Ladegerät (nicht im Lieferumfang)	BC-1800/BC-1815-S

BESCHREIBUNG

1. Selbstspannendes Bohrfutter
2. Ein-/Aus-Schalter
3. Auswahlschalter für die Drehrichtung (vorwärts / rückwärts)
4. Schraubereinsätze
5. Akku (nicht im Lieferumfang)
6. Tiefenanschlag
7. Zusatzgriff
8. Verriegelungsvorrichtungen
9. Drücken Sie auf die Verriegelungsvorrichtungen, um den Akku freizugeben
10. Anziehen
11. Lösen

F GB **D** E I P NL S DK N FIN GR H CZ RUS RO PL SLO HR TR

Deutsch

BESCHREIBUNG

12. Bohrtiefe
13. Das Drehmoment verringern
14. Das Drehmoment erhöhen
15. Ring zur Einstellung des Drehmoments
16. Bohrmodus
17. Schlagbohrmodus
18. Auswahlschalter für die Drehrichtung
19. Rückwärts
20. Vorwärts
21. Den Einsatz entfernen (lösen)
22. Spannbacke des Bohrfutters
23. Den Einsatz fixieren (anziehen)

BETRIEB

INSTALLATION DES AKKUS (NICHT IM LIEFERUMFANG)

- Sperren Sie den Ein-/Aus-Schalter Ihres Bohrschraubers, indem Sie den Drehrichtungsauswahlschalter auf die mittlere Position stellen. *Siehe Abb. 6.*
- Setzen Sie den Akku in Ihren Bohrschrauber ein. Richten Sie hierfür die Rippen des Akkus an den Kerben am Sockel des Geräts aus. *Siehe Abb. 2.*
- Prüfen Sie, ob der Akku gut im Bohrschrauber eingerastet ist, bevor Sie das Gerät verwenden.

ENTFERNEN DES AKKUS (NICHT IM LIEFERUMFANG)

- Sperren Sie den Ein-/Aus-Schalter Ihres Bohrschraubers, indem Sie den Drehrichtungsauswahlschalter auf die mittlere Position stellen. *Siehe Abb. 6.*
- Suchen Sie das Sperrsystem des Akkus und drücken Sie darauf, um den Akku aus dem Bohrschrauber zu entfernen. *Siehe Abb. 2.*
- Entfernen Sie den Akku aus Ihrem Bohrschrauber.

MONTAGE DES ZUSATZGRIFFS

Siehe Abb. 3.

Führen Sie die folgenden Schritte aus, um den Zusatzgriff zu montieren:

- Lösen Sie den Befestigungsring des Zusatzgriffs, indem Sie den Griff nach links drehen.
- Bringen Sie den Zusatzgriff in die gewünschte Position.
- Ziehen Sie den Befestigungsring des Zusatzgriffs an, indem Sie den Griff fest nach rechts drehen.

EINSTELLUNG DES TIEFENANSLAGS

Siehe Abb. 4.

Führen Sie die folgenden Schritte aus, um die Position des Tiefenanschlags einzustellen:

- Sperren Sie den Ein-/Aus-Schalter, indem Sie den Drehrichtungsauswahlschalter auf die mittlere Position stellen.
- Lösen Sie den Befestigungsring des Zusatzgriffs, indem Sie den Griff nach links drehen.
- Stellen Sie den Tiefenanschlag so ein, dass der Bohrer über das Ende des Anschlags der gewünschten Bohrtiefe hinausragt.
- Ziehen Sie den Zusatzgriff an, indem Sie den Griff fest nach rechts drehen.

EINSTELLUNG DES ANZIEHDREHMOMENTS

Siehe Abb. 5.

Ihre Bohrmaschine/Schrauber ist mit einer Kupplung ausgestattet, die es ermöglicht, das Anziehdrehmoment entsprechend dem Material einzustellen, in das gebohrt oder geschraubt wird. Stellen Sie das Drehmoment entsprechend ein.

Wir empfehlen Ihnen, Bohrer mit Karbidspitze zu verwenden und Ihr Gerät auf den Bohrmodus zu stellen, wenn Sie in hartes Material bohren, wie Backstein, Ziegel, Beton usw.



ACHTUNG

Ihre Schlagbohrmaschine/Schrauber ist nicht für umgekehrtes Bohren ausgelegt. Die Missachtung dieser Warnung kann zu Beschädigungen des Materials führen.

EIN-/AUS-SCHALTER

Siehe Abb. 6.

- Um Ihren Bohrschrauber IN BETRIEB ZU SETZEN, drücken Sie auf den Schalter.
- Um Ihren Bohrschrauber ANZUHALTEN, geben Sie den Schalter frei.

VARIABLE DREHZAHL

Über den Schalter Ihres Geräts können Sie die Drehzahl je nach ausgeübtem Druck variieren. Je größer der ausgeübte Druck ist, umso größer ist die Drehzahl. Durch langsames Freigeben des Schalters können Sie nach und nach die Geschwindigkeit verringern.

SPERRFUNKTION

Siehe Abb. 6.

Der Schalter kann in der Position "Aus" gesperrt werden. Diese Funktion ermöglicht es, ein unbeabsichtigtes Einschalten Ihres Bohrschraubers zu vermeiden, wenn Sie das Gerät nicht verwenden. Stellen Sie zum Sperren des Schalters den Auswahlschalter für den Rechts-/Linkslauf (Richtung Einschrauben / Herausschrauben) auf die mittlere Position.

Hinweis: Wenn sich der Auswahlschalter in der mittleren Position befindet, ist der Ein-/Aus-Schalter gesperrt.



Deutsch

BETRIEB

UMKEHREN DER DREHRICHTUNG

Siehe Abb. 6.

Sie können die Drehrichtung Ihres Bohrschraubers umkehren. Die Drehrichtung wird durch einen Auswahlschalter gesteuert, der sich oberhalb des Ein-/Aus-Schalters befindet. Wenn Sie Ihren Bohrschrauber in einer normalen Arbeitsposition halten, muss sich der Auswahlschalter für den Rechts-/Linkslauf auf der linken Seite des Ein-/Aus-Schalters befinden, um das Schrauben/Bohren zu ermöglichen. Die Drehrichtung wird umgekehrt (Richtung für Herausschrauben), wenn sich der Auswahlschalter auf der rechten Seite des Ein-/Aus-Schalters befindet. Wenn sich der Auswahlschalter in der mittleren Position befindet, ist der Ein-/Aus-Schalter gesperrt. Zum Anhalten Ihres Geräts, geben Sie den Ein-/Aus-Schalter frei und warten Sie, bis das Bohrfutter vollständig zum Stillstand gekommen ist.

ELEKTROBREMSE

Ihr Bohrschrauber ist mit einer Elektrobremse ausgestattet. Wenn Sie den Ein-/Aus-Schalter freigeben, dreht sich das Bohrfutter nicht mehr. Wenn die Bremse korrekt funktioniert, können Sie durch die Belüftungsschlitze des Gehäuses Funken sehen. Diese Funken sind normal und zeigen an, dass die Bremse im Einsatz ist.

EINSTELLUNG DER DREHZAHL

Siehe Abb. 8.

Beachten Sie die folgenden Anweisungen zur Einstellung der Drehzahl:

- Für eine sehr hohe Drehzahl: drücken Sie den Drehzahlauswahlknopf auf 3.
- Für eine höhere Drehzahl: drücken Sie den Drehzahlauswahlknopf auf 2.
- Für eine niedrigere Drehzahl: drücken Sie den Drehzahlauswahlknopf auf 1.

Hinweis: Wenn der Drehzahlauswahlknopf schwer zu betätigen ist, drehen Sie das Bohrfutter von Hand, bis die Drehzahl eingestellt ist.



ACHTUNG

Um eine Beschädigung der Kupplung zu vermeiden, müssen Sie warten, bis das Bohrfutter vollkommen zum Stillstand gekommen ist, bevor Sie eine andere Drehzahl wählen oder die Drehrichtung umkehren.

SELBSTSPANNENDES BOHRFUTTER

Siehe Abb. 7.

Ihr Bohrschrauber ist mit einem selbstspannenden Bohrfutter ausgestattet.

Dies bedeutet, dass Sie die Einsätze von Hand fixieren und entfernen können. Drehen Sie das Bohrfutter von Hand.

Die auf das Bohrfutter gezeichneten Pfeile geben die Richtung an, in die dieses gedreht werden muss, um den Einsatz zu FIXIEREN (einzuspannen) oder zu ENTFERNEN (zu lösen).



WARNUNG

Versuchen Sie nicht, einen Einsatz zu fixieren, indem Sie das Bohrfutter mit einer Hand festhalten und den Bohrschrauber einschalten, um das Bohrfutter zu drehen und den Einsatz in die Spannbacken des Bohrfutters einzuspannen. Das Bohrfutter kann in Ihrer Hand ausrutschen oder Ihre Hand kann rutschen und mit dem sich drehenden Schraubeinsatz oder Bohrer in Kontakt kommen. Dies kann zu einem Unfall und schweren Körperverletzungen führen.

WARTUNG



WARNUNG

Bei einem Austausch von Teilen dürfen nur Originalersatzteile von Ryobi verwendet werden. Die Verwendung von anderen Teilen kann zu einer Gefährdung führen oder Ihr Gerät beschädigen.

Verwenden Sie keine Lösungsmittel zum Reinigen der Kunststoffteile. Die meisten Kunststoffe können durch im Handel erhältliche Lösungsmittel beschädigt werden. Verwenden Sie einen sauberen Lappen für die Entfernung von Schmutz, Staub, Öl, Fett usw.



WARNUNG

Die Kunststoffelemente dürfen niemals mit Bremsflüssigkeit, Benzin, Produkten auf Petroleumbasis, eindringende Öle usw. in Kontakt kommen. Diese chemischen Produkte enthalten Substanzen, die den Kunststoff beschädigen, schwächen oder zerstören können.

Überansprechen Sie Ihre elektrischen Geräte nicht. Eine Überanspruchung kann zu einer Beschädigung des Geräts und des Werkstücks führen.



WARNUNG

Versuchen Sie nicht, Ihren Bohrschrauber zu verändern oder Zubehör hinzuzufügen, dessen Verwendung nicht empfohlen wird. Transformationen oder Änderungen dieser Art gelten als missbräuchliche Verwendung und können gefährliche Situationen herbeiführen, die schwere Körperverletzungen zur Folge haben können.

F GB D E I P **NL** S DK N FIN GR H CZ RUS RO PL SLO HR TR

Nederlands

VEILIGHEIDSVOORSCHRIFTEN



WAARSCHUWING

Tijdens het gebruik van accu gevoed gereedschap moet u altijd de elementaire veiligheidsvoorschriften in acht nemen om gevaar voor brand, lichamenlijk letsel en lekkende accuvloeistof te beperken. Lees al deze voorschriften geheel door voordat u dit apparaat gaat gebruiken en bewaar ze om ze ook later te kunnen inzien.

- **Zorg dat uw werkruimte opgeruimd en goed verlicht is.** Rommelige en donkere werkplekken werken ongelukken in de hand.
- **Houd rekening met uw werkomgeving.** Stel uw gereedschap niet bloot aan regen. Gebruik uw elektrisch gereedschap niet op natte of zeer vochtige plaatsen. Gebruik elektrisch gereedschap nooit op plekken waar gevaar bestaat voor brand of elektrische schokken.
- **Gebruik elektrisch gereedschap nooit in een explosieve atmosfeer, bijvoorbeeld in de buurt van ontvlambare vloeistoffen, gassen of stofdeeltjes.** Door de vonken van elektrisch gereedschap kunnen deze in brand raken of ontploffen.
- **Houd kinderen en omstanders op afstand als u elektrische gereedschap gebruikt.** Zij zouden u kunnen afleiden, waardoor u de macht over het gereedschap verliest.
- **Blijf waakzaam. Kijk goed naar wat u doet en gebruik uw gezonde verstand als u een elektrisch apparaat gebruikt. Gebruik uw gereedschap nooit wanneer u moe bent. Gebruik het apparaat nooit wanneer u onder invloed bent van drank of drugs, of wanneer u medicijnen gebruikt.** Vergeet niet dat een seconde onoplettendheid voldoende is om ernstig letsel te veroorzaken.
- **Draag geschikte kleding. Draag geen wijde kleding of sieraden die in de bewegende delen beklemd kunnen raken.** Als u lang haar hebt, bescherm dit dan door een hoofdbedekking te dragen.
- **Houd het laadapparaat in goede staat.** Til uw laadapparaat nooit op aan het netsnoer en probeer niet de stekker uit het stopcontact te halen door aan het laadapparaat of aan het snoer te trekken. Houd het snoer uit de buurt van warmtebronnen, olie en scherpe randen.
- **Zorg dat het werkstuk stevig op zijn plaats wordt gehouden.** Gebruik klemmen of een bankschroef om het werkstuk vast te zetten. Dit geeft meer zekerheid dan wanneer u dit met uw hand doet; bovendien houdt u zo twee handen vrij om uw gereedschap te gebruiken.
- **Houd uw apparaat in goede staat van werking.** Houd uw gereedschap scherp en schoon voor betere resultaten en optimale veiligheid. Smeer de accessoires en verwissel ze overeenkomstig de gebruiksaanwijzingen. Controleer regelmatig de goede staat van uw gereedschap en als het beschadigd is, laat het dan repareren door een ter zake kundig technicus in een Erkend Ryobi Servicecentrum. Zorg dat de handgrepen altijd droog, schoon en vrij van olie of vet zijn.
- **Controleer of geen enkel onderdeel beschadigd is. Controleer, voordat u doorgaat met het gebruiken van uw gereedschap, of een eventueel beschadigd onderdeel kan blijven werken of zijn functie kan blijven vervullen. Controleer de uitlijning van de bewegende delen. Controleer of er geen onderdelen gebroken zijn. Controleer de montage en alle andere elementen die de goede werking van het gereedschap kunnen beïnvloeden.** Wanneer er een beschermkap of ander onderdeel beschadigd is, moet dit door een erkend Ryobi servicecentrum worden gerepareerd of vervangen, tenzij anders vermeld in deze gebruikershandleiding. Laat een defecte schakelaar vervangen door een erkend Ryobi servicecentrum. Gebruik het apparaat niet als u het niet met de schakelaar aan en uit kunt zetten.
- **Zorg dat het apparaat niet ongewild in werking kan treden. Zorg dat de schakelaar op "UIT" staat of geblokkeerd is voordat u de accu plaatst.** U loopt het risico ongelukken te veroorzaken als u de machine verplaatst terwijl u uw vinger op de schakelaar hebt of als u de accu inzet terwijl de schakelaar op "AAN" staat.
- **Zorg dat u altijd uw evenwicht goed kunt bewaren. Ga altijd stevig op uw benen staan en reik met uw armen niet te ver weg.** Door een stabiele werkpositie bent u beter in staat om uw gereedschap in bedwang te houden als er iets onverwachts gebeurt. Gebruik uw machine niet terwijl u op een ladder of op een andere onstabiele ondergrond staat.
- **Draag de voorgeschreven veiligheidsuitrusting. Bescherm altijd uw ogen.** Draag tevens een stofmasker, schoenen met antislipzolen, een veiligheidshelm of gehoorbeschermers als dat vereist is.
- **U mag gereedschap niet overbelasten. Gebruik een apparaat dat geschikt is voor het werk dat u gaat doen.** Uw gereedschap zal veiliger en zekerder werken als u het gebruikt op het toerental waarvoor het berekend is.

F GB D E I P **NL** S DK N FIN GR H CZ RUS RO PL SLO HR TR

Nederlands

VEILIGHEIDSVOORSCHRIFTEN

- **Verwijder de accu van het gereedschap en controleer of de schakelaar geblokkeerd is of op UIT staat voordat u instellingen uitvoert, accessoires verwisselt of het apparaat opbergt.** Deze voorzorgsmaatregelen beperken het risico dat een machine ongewild in werking treedt.
- **Gereedschap dat niet in gebruik is, moet op een plaats hoog boven de grond of achter slot en grendel worden opgeborgen, buiten bereik van kinderen en andere personen zonder ervaring.** Het gereedschap is gevaarlijk in de handen van onervaren personen.
- **Gebruik uitsluitend accessoires die de door de fabrikant voor dit model zijn aanbevolen.** Voor een bepaald apparaat bedoelde accessoires kunnen gevaar opleveren als ze met een ander apparaat worden gebruikt.
- **Voor onderhoud mogen alleen originele reserveonderdelen worden gebruikt.** Bij gebruik van niet goedgekeurde onderdelen of bij niet naleving van de onderhoudsvoorschriften bestaat kans op elektrische schokken of ernstig lichamenlijk letsel.
- **Laat uw boor-schroefmachine door een ter zake kundig technicus repareren.** Dit elektrische apparaat voldoet aan de wettelijke veiligheidsvoorschriften. Eventuele reparaties moeten door een ter zake kundig technicus worden uitgevoerd en met gebruik van originele reservedelen. Niet naleving van dit voorschrift kan een gevaar inhouden voor de gebruiker.
- **Vergeet niet dat accugereedschap altijd startklaar is omdat het niet op een stopcontact hoeft te worden aangesloten. Wees u bewust van de risico's verbonden aan accugereedschappen wanneer deze niet in gebruik zijn en bij het verwisselen van accessoires.** Houd u altijd strikt aan de voorschriften om gevaar voor brand, elektrische schokken of lichamenlijke letsel te beperken.
- **Zorg dat u niet met opspattend accuvloeistof in aanraking komt bij gebruik van de accu onder buitengewone omstandigheden.** Raadpleeg onmiddellijk een arts als er vloeistof in uw ogen is gekomen.
- **Plaats accugereedschap of accupakken niet in de buurt van vuur of een hittebron.** Zo kunt u het gevaar voor ontploffingen of letsel beperken.



WAARSCHUWING

Uit accupakken komt waterstofgas vrij dat tot ontploffing kan komen in aanwezigheid van een ontstekingsbron, bijvoorbeeld een waakvlam. Gebruik een accu-apparaat nooit in de buurt van een open vlam om de kans op ernstig lichamenlijk letsel te beperken. Bij het exploderen van een accupak kunnen brokstukken en chemische stoffen worden rondgeslingerd. Mocht dit gebeuren, dan dient u de betreffende plekken onmiddellijk met helder water te spoelen.

TECHNISCHE GEGEVENS

Model	CDI-1803M
Spanning	18 V
Spanwijdte boorhouder	13 mm
Aan-/uitschakelaar	sneldheidsregelaar
Onbelast toerental (boorstand):	
- snelheid 1	0 - 370 min ⁻¹
- snelheid 2	0 - 750 min ⁻¹
- snelheid 3	0 - 2200 min ⁻¹
Onbelast toerental (klopboorstand):	
- snelheid 1	0 - 5920 min ⁻¹
- snelheid 2	0 - 12000 min ⁻¹
- snelheid 3	0 - 35200 min ⁻¹
Max. koppel	55 Nm
Gewicht incl. accu	3 kg
Accupak (niet bijgeleverd):	BPP-1817M/BPP-1815M
Laadapparaat (niet bijgeleverd)	BC-1800/BC-1815-S

OVERZICHT

1. Snelspanboorhouder
2. Aan/uit-schakelaar
3. Draairichtingschakelaar (voor / achter)
4. Schroefbits
5. Accupak (niet bijgeleverd)
6. Diepte-aanslag
7. Hulphandgreep
8. Vergrendelingen
9. Druk op de vergrendelingen om het accupak eruit te trekken
10. Om vast te draaien
11. Om los te draaien
12. Boordiepte
13. Kleinere koppel



Nederlands

OVERZICHT

14. Groter koppel
15. Instelring afslagkoppel
16. Boorstand
17. Klopboorstand
18. Draairichtingschakelaar
19. Achter
20. Voor
21. Boor verwijderen (losdraaien)
22. Spanklauw
23. Boor vastzetten (vastdraaien)

BEDIENING

DE ACCU INZETTEN (NIET BIJGELEVERD)

- Vergrendel de aan/uit-schakelaar van uw boor-schroefmachine door de draairichtingschakelaar in de middelste stand te zetten. *Zie afbeelding 6.*
- Steek de accu in uw boor-schroefmachine. Let er daarbij op dat de ribbels van het accupak precies passen in de gleuven onderaan het apparaat. *Zie afbeelding 2.*
- Let erop dat de accu zich goed heeft vastgeklemd voordat u de boor-schroefmachine gaat gebruiken.

DE ACCU VERWIJDEREN (NIET BIJGELEVERD)

- Vergrendel de aan/uit-schakelaar van uw boor-schroefmachine door de draairichtingschakelaar in de middelste stand te zetten. *Zie afbeelding 6.*
- Kijk waar zich het vergrendelsysteem bevindt van het accupak en druk hierop om de accu los te maken van de boor-schroefmachine. *Zie afbeelding 2.*
- Trek de accu uit uw boor-schroefmachine.

HULPHANDGREEP INSTALLEREN

Zie afbeelding 3.

Ga als volgt te werk om de hulphandgreep te installeren:

- Draai de bevestigingsring van de hulphandgreep los door de greep zelf linksom te draaien.
- Plaats de hulphandgreep in de gewenste stand.
- Draai de bevestigingsring van de hulphandgreep vast door de greep stevig rechtsom te draaien.

DE DIEPTEAANSLAG INSTELLEN

Zie afbeelding 4.

Ga als volgt te werk om de diepteanslag in te stellen:

- Vergrendel de aan/uit-schakelaar door de draairichtingschakelaar in de middelste stand te zetten.

- Draai de bevestigingsring van de hulphandgreep los door de greep zelf linksom te draaien.
- Plaats de diepteanslag zodanig dat de boor met de gewenste lengte buiten het uiteinde van de diepteanslag uitsteekt.
- Draai de hulphandgreep vast door de greep stevig rechtsom te draaien.

AFSLAGKOPPEL INSTELLEN

Zie afbeelding 5.

Omdat uw boor-schroefmachine is voorzien van een koppeling, kunt u het afslagkoppel instellen al naar gelang het materiaal waarin u boort of schroeft. Stel het afslagkoppel in op de gewenste stand.

Wij raden u aan om boren te gebruiken met hardmetalen punt en om de boormachine in de klopboorstand te zetten als u in harde materialen boort, zoals baksteen, tegels of beton.



LET OP

Uw boor-schroefmachine is niet geschikt om linksom te draaien in de klopboorstand. Als u dat toch doet, kunt u daardoor materiële schade veroorzaken.

AAN/UIT-SCHAKELAAR

Zie afbeelding 6.

- Om de boor-schroefmachine AAN TE ZETTEN drukt u de schakelaar in.
- Om de boor-schroefmachine UIT TE ZETTEN laat u de schakelaar los.

VARIABELE SNELHEID

Met de AAN/UIT-schakelaar kunt u het toerental regelen door middel van de op de schakelaar uitgeoefende druk. Hoe groter de druk op de schakelaar, des te hoger is de snelheid. Naarmate u de schakelaar minder indrukt, wordt de snelheid lager.

VERGRENDELFUNCTIE

Zie afbeelding 6.

De aan/uit-schakelaar kan worden vergrendeld in de UIT-stand. Deze functie dient om te voorkomen dat de boor-schroefmachine ongewild wordt ingeschakeld als u hem niet gebruikt. Plaats de draairichtingschakelaar (voor indraaien/uitdraaien) in de middelste stand om de aan/uit-schakelaar te vergrendelen.

Opmerking: Wanneer de keuzeschakelaar in het midden staat, is de aan/uit-schakelaar geblokkeerd.

F GB D E I P **NL** S DK N FIN GR H CZ RUS RO PL SLO HR TR

Nederlands

BEDIENING

DRAAIRICHTING OMSCHAKELEN

Zie afbeelding 6.

U kunt de draairichting van de boor-schroefmachine omschakelen. De draairichting wordt bepaald door een keuzeschakelaar die zich boven de aan/uit-schakelaar bevindt. Wanneer u de boor-schroefmachine in de normale werkstand houdt, moet de draairichting-schakelaar zich aan de linker kant van de aan/uit-schakelaar bevinden om boren/indraaien mogelijk te maken. De draairichting is omgedraaid (voor uitdraaien of losdraaien) wanneer de knop zicht rechts van de aan/uit-schakelaar bevindt. Wanneer de keuzeschakelaar in het midden staat, is de aan/uit-schakelaar geblokkeerd. Om uw apparaat te stoppen laat u de aan/uitschakelaar los en wacht u tot de boorhouder tot stilstand is gekomen.

ELEKTRISCHE REM

Uw boor-schroefmachine is voorzien van een elektrische rem. Als u de aan/uit-schakelaar loslaat, stopt de boorhouder vanzelf. Bij een normale werking van de rem kunt u door de ventilatiegaten van de behuizing heen vonken waarnemen. Deze vonkvorming is normaal en duidt erop dat de rem in werking is gekomen.

SNELHEID INSTELLEN

Zie afbeelding 8.

Volg onderstaande aanwijzingen op de snelheid te regelen:

- Voor zeer hoge snelheid: duw de instelknop voor de snelheid op de stand 3.
- Voor hoge snelheid: duw de instelknop voor de snelheid op de stand 2.
- Voor lage snelheid: duw de instelknop voor de snelheid op de stand 1.

Opmerking: Als het omschakelen van de instelknop van de snelheid moeilijk gaat, verdraai dan de boorkop met de hand totdat de versnelling pakt.

LET OP

Wacht tot de boorkop geheel tot stilstand is gekomen voordat u een andere snelheid instelt of de draairichting verandert om beschadiging van de koppeling te voorkomen.

SNELSPANBOORHOUDER

Zie afbeelding 7.

Uw boor-schroefmachine is voorzien van een snelspanboorkop. Dit betekent dat u de boren of schroefbits met de hand kunt vastzetten en loshalen. Verdraai de boorkop met de hand.

De pijlen die op de boorkop staan, geven de richting aan waarin u moet draaien om de boor of het schroefbit VAST te zetten (aan te draaien) of LOS te maken (los te draaien).



WAARSCHUWING

Probeer niet om een boor of schroefbit vast te zetten door met een hand de boorkop vast te houden en dan de boor-schroefmachine aan te zetten om zo de boorkop te laten draaien en de boor in de klauwen van de boorkop vast te klemmen. De boorkop zou uit uw hand kunnen glijden of uw hand zou kunnen wegglijden en in aanraking komen met een draaiend schroefbit of boortje. Dit kan een ongeluk en ernstig lichamelijk letsel tot gevolg hebben.

ONDERHOUD



WAARSCHUWING

Gebruik uitsluitend originele reserveonderdelen. Het gebruik van andere onderdelen kan gevaar opleveren of uw apparaat beschadigen.

Gebruik geen oplosmiddelen om de kunststof onderdelen te reinigen. De meeste kunststoffen riskeren om te worden beschadigd door de in de handel zijnde oplosmiddelen. Gebruik een schone doek om vervuiling, stof, olie, vet e.d. te verwijderen.



WAARSCHUWING

Kunststof onderdelen mogen nooit in aanraking komen met remvloeistof, benzine, petroleumproducten, kruipolie, enz. Deze producten bevatten namelijk chemicaliën die het plastic kunnen beschadigen, verzwakken of aantasten.

Verg niet teveel van uw elektrisch gereedschap. Door verkeerd gebruik kunt u uw machine en ook het werkstuk beschadigen.



WAARSCHUWING

Probeer niet om veranderingen aan uw boor-schroefmachine aan te brengen of om accessoires toe te voegen waarvan het gebruik niet is aanbevolen. Dergelijke veranderingen of wijzigingen vallen onder verkeerd gebruik en kunnen gevaarlijke situaties teweegbrengen die ernstig lichamelijk letsel kunnen veroorzaken.

F GB D E I P NL S DK N FIN GR **H** CZ RUS RO PL SLO HR TR

Magyar

BIZTONSÁGI ELŐÍRÁSOK



FIGYELEM

A tűzveszély, az akkumulátorfolyadék-szivárgás, az áramütés és a más testi sérüléssel járó balesetek elkerülése végett feltétlenül fontos, hogy az elektromos szerszámok használata során a biztonsági előírásokat teljes mértékben betartsa. A készülék használata előtt olvassa el ezt a tájékoztatót, és tartsa meg a későbbekre tájékozódás céljából.

- **Gondoskodjon arról, hogy a munkatér legyen tiszta és részesüljön kellő megvilágításban.** A zsúfolt, rendetlen helyiségek önmagukban is balesetforrást jelentenek.
- **Mindig vegye figyelembe a munkaterületi körülményeket.** Ne tegye ki szerszámaint esőnek. Ne használja az elektromos szerszámot nedves vagy erősen párák környezetben. Ne vegye igénybe a szerszámot olyan helyen, ahol tűz- vagy áramütés veszélye áll fenn.
- **Ne használjon elektromos szerszámot robbanásveszélyes környezetben, például ha gyúlékony folyadék, gáz vagy por található a közelben.** Az elektromos szerszám motorjából származó szikra robbanást vagy tüzet okozhat.
- **Tartsa távol a gyermekeket és a többi személyt az elektromos szerszámot igénylő munkálatok végzése alatt.** A gyermekek és más személyek elvonhatják a figyelmét és emiatt elvesztheti a szerszám feletti uralmát.
- **Legyen körültekintő. Mindig óvatosan és körültekintően cselekedjen, és győződjön meg a jó ítélőképességéről, ha elektromos szerszámmal dolgozik.** Ne használja a szerszámot, ha fáradtnak érzi magát. Ne használja a szerszámot, ha szeszes italt vagy kábitószert fogyasztott, illetve ha orvosságot szed. Soha ne felejtse el, hogy egy pillanatnyi figyelmetlenség elegendő ahhoz, hogy súlyosan megsérüljön.
- **A munkának megfelelő ruházatot viseljen.** Ne hordjon bő ruhát vagy olyan ékszert, amelyet a készülék mozgó részei bekaphatnak. Amennyiben hosszú a haja, takarja el sapkával vagy kendővel.
- **Ügyeljen arra, hogy a szerszám töltője mindig jó állapotban legyen.** Soha ne tartsa a töltőt a vezetéknel fogva, és soha ne a vezetéknel vagy a töltőnél fogva húzza ki azt a hálózati aljzatból. Tartsa távol a hálózati tápvezetékét hőforrásoktól, olajos dolgoktól és éles peremektől.
- **Ügyeljen a munkadarab megfelelő rögzítésére.** A munkadarab rögzítéséhez használjon satut vagy más szorításra szolgáló szerszámot. Sokkal nagyobb biztonságban dolgozhat így, mintha a kezével fogná, másrészt így két kézzel foghatja a szerszámot
- **Gondoskodjon a szerszám kellő karbantartásáról.** Tiszta és éles vágószerszámmal dolgozhat a legnagyobb biztonságban, így érheti el e legjobb eredményeket. Az előírásoknak megfelelően kenje, olajozza a szerszámot, ill. cserélje az tartozékokat. Rendszeresen ellenőrizze a szerszám állapotát, és ha rongálódást tapasztal, egy képzett szakemberrel javíttassa meg a készüléket a legközelebbi hivatalos Ryobi Szerviz Központban. Ügyeljen arra, hogy a fogantyúk tiszta állapotban, olaj- és zsiradékmentesek legyenek.
- **Ellenőrizze, hogy egyetlen alkatrész sem sérült meg.** Ha bármilyen rendellenességet tapasztal, a munka folytatása előtt ellenőrizze, hogy a készülék sérült eleme működőképes állapotban van-e, be tudja-e tölteni rendeltetését. Ellenőrizze, hogy a mozgó alkatrészek a helyükön vannak-e. Ellenőrizze, hogy egyetlen alkatrész sem tört el. Ellenőrizze, hogy a szerszám minden része megfelelően felszerelve a helyén van-e, és hogy nincs-e más észlelhető balesetforrás vagy meghibásodás. A sérült élvédőt vagy bármilyen más megrongálódott alkatrészt a legközelebbi hivatalos Ryobi Szerviz Központban kell kicseréltetni vagy megjavíttatni, kivéve ha a jelen használati útmutató erre vonatkozólag mást ír elő. Bármilyen sérült kapcsológombot a legközelebbi hivatalos Ryobi Szerviz Központban cseréltesse ki. Ne használja a készüléket, ha a ki / be kapcsológomb nem teszi lehetővé a készülék bekapcsolását illetve leállítását.
- **Minden esetben kerülje, hogy a szerszámot véletlenül bekapcsolja.** Az akkumulátor beillesztése előtt ellenőrizze, hogy a ravasz "ki" állásban, illetve a reteszelve van-e. Ha az akkumulátort akkor helyezi be, amikor a ravasz "be" állásban van, vagy ha a ravaszon tartja az ujját a szerszám szállítása közben, akkor ez balesetet okozhat.
- **Ügyeljen arra, hogy munka közben stabilan, egyensúlyban álljon. Álljon fél-terpesz állásban és ne nyújtsa túl messze a karját.** A stabil pozíció hozzásegíti ahhoz, hogy nagyobb biztonsággal védje ki a nem várt eseményeket. Ne használja a szerszámot, ha létrán vagy bármilyen más, nem stabil tárgyon áll.
- **Viseljen megfelelő védőfelszerelést. Használjon mindig védőszemüveget.** Ha szükséges, hordjon porvédő maszkot, csúszásgátló talppal ellátott cipőt, sisakot és/vagy hallásvédő eszközt (füldugót).

F GB D E I P NL S DK N FIN GR **H** CZ RUS RO PL SLO HR TR

Magyar

BIZTONSÁGI ELŐÍRÁSOK

- **Ne erőltesse a szerszámot. Mindig az elvégzendő munkának megfelelő eszközt használja.** A szerszám hatékonysága és biztonságossága akkor maximális, ha azt a célnak / rendeltetésnek megfelelően használja.
- **Távolítsa el az akkumulátort és győződjön meg arról, hogy a gomb reteszelve vagy "ki" állásban van, mielőtt a szerszámot elrakja vagy azon beállítást illetve tartozék cserét végez.** Ezek a biztonsági intézkedések csökkentik a szerszám véletlenszerű beindításának a veszélyét.
- **A gyermekekre és a gyakorlatlan személyekre való tekintettel magasban lévő- vagy kulccsal zárható helyen tárolja a használaton kívüli szerszámot.** Tapasztalatlan kezek között a szerszámok veszélyesek lehetnek
- **Kizárólag a gyártó által ehhez a típushoz előírt tartozékokat használja.** Egy adott szerszámnak megfelelő alkatrész vagy tartozék egy másik szerszámmal történő használata veszéllyel járhat.
- **A karbantartási munkálatok során kizárólag eredeti pótalkatrészeket lehet használni.** A nem megfelelő alkatrészek felhasználása, valamint a karbantartási utasítások be nem tartása áramütést és súlyos testi sérüléssel járó balesetet okozhat.
- **A fúró / csavarozógépet képzett szakemberrel javíttassa.** Ez az elektromos szerszám megfelel a törvényes biztonsági előírásoknak / szabványoknak. A javítási munkákat csak képzett szakember végezheti el, és ahhoz csak eredeti pótalkatrészeket használhat. Ezen utasítás be nem tartása veszélybe sodorhatja a szerszám használóját.
- **Ne feledkezzen meg arról, hogy az akkumulátoros szerszám mindig üzemképes állapotban van, hiszen nincs szükség arra, hogy hálózati aljzathoz csatlakoztassa. Legyen tudatában az akkumulátoros szerszámhoz kötődő veszélyeknek, amikor nem használja vagy tartozékokat cserél rajta.** Mindig tartsa be a biztonsági előírásokat a tűzveszély, áramütés és személyi sérülés veszélyének csökkentése érdekében.
- **Ne érintkezzen az akkumulátorfolyadékkal, amennyiben szélsőséges körülmények közötti használat következtében szivárogni kezd.** Amennyiben a folyadék a szembe kerül, forduljon azonnal orvoshoz.
- **Tartsa távol az akkumulátort és az akkumulátoros szerszámot hőforrástól, tűztől.** Ezáltal jelentősen csökkenti a baleset- és robbanásveszélyt.



FIGYELEM

Az akkumulátorokból hidrogén szabadul fel, amit egy elektromos szikraforrás, mint például egy kijelző berobbanthat. A balesetveszély csökkentése érdekében soha ne használja az akkumulátoros szerszámot nyílt láng közelében. Ha egy akkumulátor felrobban, törött darabok és vegyszerek lövellhetnek ki a környezetbe. Ilyen esetben azonnal tisztítsa le tiszta vízzel a szennyezett felületet.

MŰSZAKI ADATOK

Típus	CDI-1803M
Feszültség	18 V
Tokmány	13 mm
Be - ki kapcsológomb	változtatható sebesség
Üresjárat fordulatszám (fúró üzemmódban):	
- 1. sebesség	0 - 370 perc ⁻¹
- 2. sebesség	0 - 750 perc ⁻¹
- 3. sebesség	0 - 2200 perc ⁻¹
Üresjárat fordulatszám (csavarozó üzemmódban):	
- 1. sebesség	0 - 5920 perc ⁻¹
- 2. sebesség	0 - 12000 perc ⁻¹
- 3. sebesség	0 - 35200 perc ⁻¹
Max. nyomaték	55 Nm
Tömeg, akkumulátorral	3 kg
Akkumulátor (nincs mellékelve)	BPP-1817M/BPP-1815M
Töltő (nincs mellékelve)	BC-1800/BC-1815-S

A KÉSZÜLÉK RÉSZEI

1. Önszorító tokmány
2. Ravasz
3. Forgásirány váltó (előre / hátra)
4. Csavarozó fejek
5. Akkumulátor (nincs mellékelve)
6. Mélységmérő szár
7. Segédfofagantyú
8. Reteszelő gomb
9. Az akkumulátor levételéhez nyomja meg a reteszelő gombot
10. Szorítás iránya
11. Meglazítás iránya
12. Fúrás mélység
13. A nyomaték csökkentésének iránya
14. A nyomaték növelésének iránya
15. Nyomatékbeállító gyűrű
16. Fúró üzemmód

F GB D E I P NL S DK N FIN GR **H** CZ RUS RO PL SLO HR TR

Magyar

A KÉSZÜLÉK RÉSZEI

17. Ütvefúró üzemmód
18. Forgásirány váltó
19. Hátra
20. Előre
21. A fej kivételéhez lazítsa meg
22. Tokmány pofa
23. A fej rögzítéséhez húzza meg

MŰKÖDÉS

AZ AKKUMULÁTOR BEHELYEZÉSE (NINCS MELLÉKELVE)

- Reteszelve a ravaszt úgy, hogy a forgásirány váltót központi állásba kapcsolja. *Lásd 6. ábra.*
- Helyezze be az akkumulátort a fúró / csavarozó gépbe. Ehhez hozza össze az akkumulátor bordázatát a szerszám alján található rovátkákkal. *Lásd 2. ábra.*
- Használatbavétel előtt bizonyosodjon meg arról, hogy az akkumulátor a fúrógépbe bekattant, ott jól rögzül.

AZ AKKUMULÁTOR KIVÉTELE (NINCS MELLÉKELVE)

- Reteszelve a ravaszt úgy, hogy a forgásirány váltót központi állásba kapcsolja. *Lásd 6. ábra.*
- Keresse meg az akkumulátor reteszelő gombját, és nyomja meg, hogy az akkumulátort levehesse a fúrógépről. *Lásd 2. ábra.*
- Vegye le az akkumulátort a fúrógépről.

AZ OLDALFOGANTYÚ FELSZERELÉSE

Lásd 3. ábra.

Kövesse az alábbi lépéseket az oldalfogantyú felszereléséhez:

- Lazítsa meg a az oldalfogantyú rögzítőgyűrűjét a markolatot balra csavarva.
- Helyezze a fogantyút a kívánt pozícióba.
- Szorítsa meg az oldalfogantyú rögzítőgyűrűjét a markolatot erősen jobbra fordítva.

A MÉLYSÉGMÉRŐ SZÁR BEÁLLÍTÁSA

Lásd 4. ábra.

Kövesse az alábbi lépéseket a mélységmérő szár beállításához:

- Reteszelve a ravaszt úgy, hogy a forgásirány váltót központi állásba helyezi.
- Lazítsa meg az oldalfogantyú rögzítőgyűrűjét a markolatot balra csavarva.

- Állítsa be a mélységmérő szárát oly módon, hogy a fúrófej a szár végétől a kívánt fúrásmélységben legyen.
- Szorítsa meg az oldalfogantyút a markolatot erősen jobbra fordítva.

A FORGATÓNYOMATÉK BEÁLLÍTÁSA

Lásd 5. ábra.

A fúró / csavarozógép egy olyan kuplunggal van felszerelve, mely lehetővé teszi, hogy a fúrándó ill. csavarozandó anyag szerint a forgatónyomatékat beállítsa. Állítsa be a nyomatékat a kívánt szintre.

Amennyiben olyan kemény anyagokba fúr, mint pl. téglá, cserép, beton stb., ezekhez előírászerűen keményfémlapkás végű fúrófejeket kell használni és ütvefúró üzemmódba kell helyezni a szerszámot.



FIGYELEMFLHÍVÁS

Az Ön által vásárolt ütvefúró / csavarozó gépet nem úgy tervezték, hogy kikalapálásra lehessen használni. Ezen figyelemfelhívás be nem tartása anyagi károkat okozhat.

RAVASZ

Lásd 6. ábra.

- Ha BE AKARJA KAPCSOLNI a fúrógépet, nyomja meg a ki / be kapcsoló ravaszt.
- Ha KI AKARJA KAPCSOLNI a fúrógépet, engedje el a ravaszt.

ÁLLÍTHATÓ SEBESSÉG

A ravaszra gyakorolt erő fokától függően változik a fúrógép sebessége. Minél nagyobb a ravaszra gyakorolt erő, annál nagyobb a szerszám sebessége. Ahogy a ravaszt visszaengedi, úgy csökken a sebesség.

RETESZELŐ FUNKCIÓ

Lásd 6. ábra.

A ravasz "ki" állásban reteszelve. Ez a funkció megakadályozza, hogy a fúrógép véletlenül bekapcsoljon, ha nem akarja használni. Ha a ravaszt reteszelni szeretné, kapcsolja a forgásirány váltót (be / ki csavarozás iránya) központi állásba.

Megjegyzés: Ha a forgásirány váltó központi állásban van, a ravaszt nem lehet meghúzni.

FORGÁSIRÁNY VÁLTÁSA

Lásd 6. ábra.

A fúró / csavarozó gép forgásiránya változtatható. A forgás irányát a ravasz felett található forgásirány váltó határozza meg.

F GB D E I P NL S DK N FIN GR **H** CZ RUS RO PL SLO HR TR

Magyar

MŰKÖDÉS

Ha a fűrőgépet becsavarozásra vagy fűrésésre használja, a forgásirány váltónak a ravasz bal oldalán kell lennie. A fűrő ellenkező irányban forog (kicsavarozás iránya), ha a forgásirány váltó a ravasz jobb oldalán van. Ha a forgásirány váltó központi állásban van, a ravaszt nem lehet meghúzni. Ha a szerszámot le kívánja állítani, engedje el a ravaszt, és várja meg, hogy a tokmány forgása teljesen leálljon.

ELEKTROMOS FÉK

A fűrőgép elektromos fékkel van felszerelve. Ha a ravaszt elengedi, a tokmány forgása leáll. Ha a fék jól működik, a motorház szellőzőnyílásain keresztül szikrákat lehet látni. A szikrázás normális jelenség, és azt mutatja, hogy a fék jól működik.

A FORDULATSZÁM BEÁLLÍTÁSA

Lásd 8. ábra.

A sebesség beállításához tartsa be a következő utasításokat:

- Nagyon nagy fordulatszámhoz: nyomja a sebesség-választó gombot 3-as állásba.
- Nagyobb fordulatszámhoz: nyomja a sebesség-választó gombot 2-es állásba.
- Kisebb fordulatszámhoz: nyomja a sebességválasztó gombot 1-es állásba.

Megjegyzés: Ha a sebességválasztó gombot nehéz megnyomni, forgassa el a tokmányt kézzel, amíg a sebesség be nem ugrik.



FIGYELEM FELHÍVÁS

A kuplung károsodásának elkerülése érdekében várja meg, hogy a tokmány teljesen leálljon, mielőtt más sebességet választ, vagy megváltoztatja a forgási irányt.

ÖNSZORÍTÓ TOKMÁNY

Lásd 7. ábra.

A fűrőgép önszorító tokmánnyal van felszerelve. Ahogy a neve is jelzi, segítségével a fűrő- és csavarozófejeket manuálisan cserélheti. Forgassa a tokmányt kézzel.

A tokmányra rajzolt nyílak azt jelzik, merre kell csavarni a tokmányt, ha a fejet be szeretné helyezni (szorítás) vagy ki szeretné venni (lazítás).



FIGYELEM

Ne próbáljon úgy fejet cserélni, hogy a tokmányt egyik kezével megfogja, a fűrőgépet bekapcsolja, hogy a tokmány forogni kezdjen, és a fűrőfejet így fogja be a pofákba. Keze megcsúszhat a tokmányon, és így belekaphat a forgó fűrő- vagy csavarozófejbe. Ez súlyos testi sérülésekkel járó balesetet okozhat.

KARBANTARTÁS



FIGYELEM

Alkatrészcsere esetén kizárólag eredeti Ryobi pótalkatrésszel szabad a régit helyettesíteni. Minden más alkatrész használata veszéllyel járhat és a készülék megrongálását okozhatja.

Ne használjon oldószert / hígítót a műanyagból készült részek tisztításához. A kereskedelmi forgalomban lévő oldószerek megrongálhatják a műanyagból készült elemek többségét. A por, olaj, zsír és egyéb szennyezettség tisztítására használjon egy tiszta ruhadarabot.



FIGYELEM

Óvja a műanyagból készült részeket a fékolajtól, a benzintől stb. és minden egyéb olaj alapú terméktől. Ezek a vegyszerek olyan összetevőket tartalmaznak, melyek megrongálják, tönkreteszik vagy lebontják a műanyagból készült részeket.

Szerszámait ne terhelje túl. A túlterhelés károkat okozhat a készülékben és megrongálhatja a munkadarabot is.



FIGYELEM

Ne próbálja átalakítani / módosítani, illetve az előírásoktól eltérő tartozékokkal használni a fűrő / csavarozó gépet. Az ilyen átalakítások és tartozékok használata tilos, helytelen használatnak minősül, veszélyes helyzeteket, súlyos testi sérülésekkel járó baleseteket vonhat maga után.

F GB D E I P NL S DK N FIN GR H **CZ** RUS RO PL SLO HR TR

Čeština

BEZPEČNOSTNÍ POKYNY



UPOZORNĚNÍ

Při používání elektronářadí je nutné dodržovat základní bezpečnostní pokyny, aby nemohlo dojít k požáru, úrazu nebo vytečení elektrolytu z akumulátorové baterie. Před použitím nářadí se seznamte s uvedenými pokyny a návod uschovejte, abyste se k němu mohli v budoucnosti kdykoliv vrátit.

- **Pracovní plocha musí být čistá a řádně osvětlená.** Nepřehledné a tmavé pracovní prostředí nebo přeplněné pracovní stoly jsou potenciálním zdrojem úrazu.
- **Při práci je nutné přihlížet k okolním podmínkám. Nářadí nevystavujte dešti.** Elektrické nářadí nepoužívejte ve vlhku nebo moku. Nářadí nepoužívejte v podmínkách, kde hrozí nebezpečí požáru nebo úrazu elektrickým proudem.
- **Nářadí nikdy nepoužívejte v prostředí, kde hrozí nebezpečí výbuchu, například blízkosti hořlavých látek, plynů nebo prachu.** Jiskření vznikající při práci s elektronářadím může způsobit požár nebo explozi.
- **Při práci s elektronářadím pracujte v bezpečné vzdálenosti od okolních osob, zejména dětí.** Při práci nerozptylujte svou pozornost, abyste měli nářadí trvale pod kontrolou.
- **Buďte opatrní. Při práci s elektronářadím pozorně sledujte, co děláte, a řiďte se zdravým rozumem. Nářadí nepoužívejte, pokud cítíte únavu. Nepoužívejte nářadí, pokud jste pod vlivem alkoholu, drog nebo užíváte léky, které snižují pozornost.** Nezapomeňte, že i pouhý okamžik nepozornosti může být příčinou závažného úrazu.
- **Noste vhodný přiléhavý pracovní oděv. Při práci nenoste široké oblečení ani šperky, které by se mohly zachytit v pohyblivých částech nářadí a být příčinou úrazu.** Pokud máte dlouhé vlasy, při práci je nutné vlasy chránit vhodnou vlasovou pokrývkou.
- **Nabíječku je nutné dodržovat v dobrém technickém stavu.** Nabíječku nikdy nedejte za přírodní síťový kabel a neodpojujte ji z elektrické sítě taháním za přírodní kabel. Přírodní kabel ponechte v dostatečné vzdálenosti od zdrojů tepla, olejů a ostrých předmětů.
- **Pracovní materiál musí být upevněn.** K upevnění opracovávaného materiálu používejte svorky nebo svěrák. To je bezpečnější než přidržovat materiál rukou: nářadí tak můžete vést oběma rukama.
- **Nářadí udržujte v pořádku a čistotě.** Abyste dosáhli požadovaných výsledků při zachování optimální bezpečnosti, nářadí je nutné pravidelně čistit a ostřit.

Při výměně příslušenství a při jeho mazání postupujte podle pokynů. Je-li přívodní šňůra poškozena, nechte ji opravit odborníkem v některé z autorizovaných servisních opravrn výrobků Ryobi. Zkontrolujte, zda jsou rukojeti vždy čisté a suché a zda na nich nejsou stopy po oleji nebo mazivu.

- **Zkontrolujte, zda žádný díl nářadí není poškozený. Než budete pokračovat v práci, zkontrolujte, zda je poškozený díl nářadí provozuschopný a plně funkční. Zkontrolujte, zda jsou pohyblivé prvky nářadí v zákrytu. Zkontrolujte, zda žádný díl není zlomený. Zkontrolujte správnost montáže nářadí a funkčnost všech dílů, které mohou narušit bezpečný provoz nářadí.** Pokud je poškozena ochrana pilového kotouče u pily či jakýkoliv jiný díl, musí být provedena jeho oprava či výměna v některé z autorizovaných servisních opravrn výrobků Ryobi, kromě případů, kdy je v tomto návodu uvedeno jinak. Poškozený spínač je nutné nechat vyměnit v některé z autorizovaných servisních opravrn výrobků Ryobi. Nářadí nepoužívejte, pokud ho nelze zapnout nebo vypnout hlavním spínačem.
- **Vyvarujte se tak nechtěnému zapnutí nářadí. Před vložením akumulátoru zkontrolujte, zda je spínač v poloze "vypnuto".** Nikdy při přemísťování nářadí nepokládejte prsty na spínač, který je v poloze "zapnuto", spínač nesmí být v zapnuté poloze ani při výměně akumulátoru, mohli byste si způsobit závažný úraz.
- **Vždy pracujte v rovnovážné a stabilní poloze. Stůjte pevně oběma nohama na stabilní ploše, ruce nenatahujte příliš daleko nebo vysoko.** Stabilní pracovní poloha umožňuje lepší kontrolu nářadí v případě nečekané události. Při práci nestůjte na žebříku ani na žádném jiném nestabilním podkladu.
- **Používejte vhodné ochranné prostředky. Vždy chraňte své oči.** Používejte protiprašný respirátor, protiskluzovou obuv, přílbu a/nebo v případě potřeby sluchovou ochranu.
- **Na nářadí netlačte. Nářadí vybírejte podle povahy práce, kterou chcete provádět.** Nářadí nepřetěžujte, dodržujte předepsaný pracovní režim, nářadí tak bude bezpečnější a účinnější.
- **Před seřizováním nářadí, před výměnou příslušenství nebo před uskladněním nářadí je nutné vyndat akumulátor z nářadí a zkontrolovat, zda je spínač v poloze "vypnuto".** Tato základní preventivní opatření snižují riziko nechtěného spuštění nářadí.
- **Pokud nářadí nepoužíváte, uskladněte je na suchém místě, v dostatečné výšce, v uzamykatelném nábytku a chraňte je před dětmi a nepovolanými osobami.** Nářadí může být nebezpečné v rukou nezkušených osob.

F GB D E I P NL S DK N FIN GR H **CZ** RUS RO PL SLO HR TR

Čeština

BEZPEČNOSTNÍ POKYNY

- **Používejte pouze příslušenství doporučené pro tento model výrobcem.** Příslušenství určené k jinému nářadí může být nebezpečné, pokud ho použijete s akumulátorovým vrtacím šroubovákem.
- **Při opravě nářadí je možné použít pouze originální náhradní díly.** Použití jiných než doporučených dílů a součástí nebo nedodržení pokynů pro údržbu může být příčinou úrazu elektrickým proudem nebo jiného zranění.
- **opravy akumulátorového vrtacího šroubováku musí být prováděny pouze odborníkem s příslušnou technickou kvalifikací.** Toto nářadí je v souladu se zákonnými bezpečnostními předpisy. Opravy smí být prováděny pouze kvalifikovaným opravářem za pomoci originálních náhradních dílů. Při nedodržení tohoto pokynu se uživatel vystavuje nebezpečí.
- **Nezapomeňte, že akumulátorové nářadí může být kdykoliv uvedeno do provozu, protože nepotřebuje připojení k elektrické síti. Nezapomeňte, že akumulátorové nářadí může být nebezpečné, i když s ním nepracujete, například při výměně příslušenství.** Veškeré pokyny důsledně dodržujte, aby nedošlo ke vzniku požáru, úrazu elektrickým proudem nebo zranění.
- **Elektrolytu, který může vytékat z akumulátoru se rozhodně nedotýkejte, zejména pokud pracujete v extrémních podmínkách.** Při zasažení očí vyhledejte lékaře.
- **Neumisťujte akumulátorové nářadí ani akumulátor do blízkosti otevřeného ohně nebo zdroje tepla.** Omezíte tak riziko výbuchu a zranění.



UPOZORNĚNÍ

Baterie uvolňují vodík, který v kombinaci s kyslíkem vytváří výbušný plyn: v blízkosti tepelného zdroje, např. zapalovacího plamínku, může dojít k explozi baterií. K omezení rizika úrazu nepoužívejte nikdy akumulátorové nářadí v blízkosti otevřeného ohně. Při výbuchu akumulátoru může dojít k vyvrstvení kusů materiálu nebo vystříknutí chemických látek. Pokud dojde k potřísnění pokožky chemikáliemi, omyjte důkladně postižené místo čistou vodou.

TECHNICKÉ ÚDAJE

Model	CDI-1803M
Napětí	18 V
Rozsah skličidla	13 mm
Spínač	astavitelná rychlost

Údery při zatížení:

- 1. rychlost 0 - 370 min⁻¹
- 2. rychlost 0 - 750 min⁻¹
- 3. rychlost 0 - 2200 min⁻¹

Údery při zatížení (u přiklepu):

- 1. rychlost 0 - 5920 min⁻¹
- 2. rychlost 0 - 12000 min⁻¹
- 3. rychlost 0 - 35200 min⁻¹
- Max. točivý moment 55 Nm
- Hmotnost včetně akumulátoru 3 kg
- Akumulátor (není součástí dodávky): BPP-1817M/BPP-1815M
- Nabíječka (není součástí dodávky) BC-1800/BC-1815-S

POPIS

1. Rychloupínací samosvorné sklíčidlo
2. Spouštěč nářadí
3. Přepínač levého/pravého chodu (dopředu/dozadu)
4. Šroubovací nástavce
5. Akumulátor (není součástí dodávky)
6. Doraz pro nastavení hloubky vrtání
7. Přídavná rukojeť
8. Blokační systém
9. Stiskněte blokovací pojistku, tím se akumulátor uvolní
10. Povolení
11. Utažení
12. Hloubka vrtání
13. Snížení točivého momentu
14. Zvýšení točivého momentu
15. Kroužek pro nastavení točivého momentu
16. Režim vrtání
17. Režim přiklepu
18. Přepínač levého/pravého chodu
19. Dozadu
20. Dopředu
21. Demontáž šroubovacího nástavce (povolení)
22. Čelisti sklíčidla
23. Montáž šroubovacího nástavce (utažení)

PROVOZ NÁŘADÍ

VLOŽENÍ AKUMULÁTORU (NENÍ DODÁN)

- Zajistěte spouštěč vrtacího šroubováku tak, že ho nastavíte do středové bezpečnostní polohy. *Viz obr. č. 6.*
- Vložte akumulátor do vrtacího šroubováku. Žebrované bateriové prostory vrtacího šroubováku. *Viz obr. č. 2.*
- Zkontrolujte, zda je akumulátor správně vložen do vrtacího šroubováku.



Čeština

PROVOZ NÁŘADÍ

VYJMUTÍ AKUMULÁTORU (NENÍ DODÁN)

- Zajistěte spouštěč vrtacího šroubováku tak, že ho nastavíte do středové bezpečnostní polohy. Viz obr. č. 6.
- Stiskněte blokační pojistku akumulátoru, tím se akumulátor uvolní a je možné ho vyndat z vrtacího šroubováku. Viz obrázek č. 2.
- Vyjměte akumulátor z vrtacího šroubováku.

NASAZENÍ PŘÍDAVNÉ RUKOJETI

Viz obrázek č. 3.

Při nasazení přídatné rukojeti postupujte takto:

- Povolte upevňovací kroužek přídatné rukojeti otočením rukojeti doleva.
- Nastavte přídatné držadlo do požadované polohy.
- Utáhněte upevňovací kroužek přídatné rukojeti rázným otočením rukojeti doprava.

NASTAVENÍ HLOUBKOVÉHO DORAZU

Viz obrázek č. 4.

Při nastavení hloubkového dorazu postupujte takto:

- Zajistěte spouštěč vrtacího šroubováku tak, že ho nastavíte do středové bezpečnostní polohy.
- Povolte upevňovací kroužek přídatné rukojeti otočením rukojeti doleva.
- Nastavte hloubkový doraz tak, aby vrták přesahoval hloubkový doraz požadované hloubky vrtání.
- Utáhněte přídatnou rukojeť rázným otočením rukojeti doprava.

NASTAVENÍ UTAHOVACÍHO MOMENTU

Viz obrázek č. 5.

Vrtací šroubovák je vybaven spojkou, která umožňuje nastavit utahovací moment podle typu materiálu. Nastavte utahovací moment na požadovanou hodnotu.

Doručujeme Vám používat vrtáky s karbidovým hrotem a používat příklep pouze v případě, že vrtáte do tvrdého materiálu, jako např. do cihel, střešních tašek, betonu apod.



VAROVÁNÍ

Vrtací šroubovák nemůže pracovat v reverzním chodu. Při nedodržení tohoto pokynu může dojít k vzniku materiálních škod.

HLAVNÍ SPÍNÁČ

Viz obrázek č. 6.

Vrtací šroubovák se ZAPÍNÁ stisknutím spouštěče. Vrtací šroubovák se VYPÍNÁ uvolněním spouštěče.

NASTAVITELNÁ RYCHLOST

Spouštěč umožňuje regulovat rychlost otáček nářadí. Čím větší tlak budete vyvíjet na spouštěč, tím vyšší bude pracovní rychlost nářadí. Postupným uvolňováním spouštěče dochází ke zpomalení rychlosti nářadí.

FUNKCE BLOKAČNÍ POJISTKY

Viz obrázek č. 6.

Spouštěč lze zablokovat v poloze "vypnuto". Tato funkce brání nechtěnému rozběhu nářadí, jakmile vrtací šroubovák nepoužíváte. Pokud chcete spouštěč nářadí zablokovat, nastavte přepínač pravého/levého chodu (utahování/uvolňování vrutů) do střední polohy.

Poznámka: Jakmile je přepínač pravého/levého chodu ve střední poloze, spouštěč nářadí nelze použít.

PŘEPÍNÁNÍ PRAVÉHO/LEVÉHO CHODU

Viz obrázek č. 6.

Chod vrtacího šroubováku lze přepínat z levého na pravý chod a obráceně. Chod nářadí je kontrolován přepínačem chodu, který se nachází těsně nad spouštěčem nářadí. Jakmile držíte vrtací šroubovák standardním způsobem, přepínač pravého/levého chodu se musí nacházet nalevo od spouštěče nářadí, abyste mohli šroubovat nebo vrtat. Chod nářadí je opačný (při uvolňování vrutů), v tom případě se přepínač pravého/levého chodu nachází napravo od spouštěče nářadí. Jakmile je přepínač pravého/levého chodu ve střední poloze, spouštěč nářadí nelze použít. Pokud chcete nářadí zastavit, dejte prst ze spouštěče a počkejte, dokud se sklíčidlo přestane otáčet.

ELEKTRICKÁ BRZDA

Vrtací šroubovák je vybaven elektrickou brzdou. Jakmile uvolníte prst ze spouštěče, vrtací šroubovák se postupně zastaví. Pokud je brzda plně funkční, přes větrací otvory krytu nářadí je viditelné jiskření. Toto jiskření je zcela běžným jevem a svědčí o používání elektrické brzdy.

REGULACE RYCHLOSTI

Viz obrázek č. 8.

Při regulaci rychlosti dodržujte následující pokyny:

- Při nastavení velmi vysoké rychlosti: přepněte přepínač rychlosti do polohy 3.
- Při nastavení vysoké rychlosti: přepněte přepínač rychlosti do polohy 2.
- Při nastavení nízké rychlosti: přepněte přepínač rychlosti do polohy 1.

Poznámka: Pokud přepínač rychlosti nelze snadno přepnout, otáčejte sklíčidlem ručně, dokud není nářadí nastaveno na požadovanou rychlost.

F GB D E I P NL S DK N FIN GR H **CZ** RUS RO PL SLO HR TR

Čeština

PROVOZ NÁŘADÍ



VAROVÁNÍ

Abyste nepoškodili spojku, při přepínání na jiný rychlostní stupeň a při změně směru chodu nářadí, počkejte, dokud se vrtací šroubovák zcela nezastaví.

RYCHLOUPÍNAČÍ SAMOSVORNÉ SKLÍČIDLO

Viz obrázek č. 7.

Vrtací šroubovák je osazen rychloupínacím samosvorným sklíčidlem. Jak název napovídá, rychloupínací sklíčidlo umožňuje rychlé ruční nasazení a sejmutí šroubovacích nástavců. Sklíčidlo otáčejte ručně.

Šipky na sklíčidle informují o směru otáčení sklíčidlem při **NASAŽENÍ** (utažení) nebo **SEJMUTÍ** (povolení) šroubovacího nástavce.



UPOZORNĚNÍ

Nikdy nenasazujte šroubovací nástavec tak, že byste drželi sklíčidlo jednou rukou a spustili nářadí, aby se tak sklíčidlo začalo otáčet a mohli jste upevnit šroubovací nástavec v čelisti sklíčidla. Sklíčidlo by se Vám mohlo z rukou vysmeknout nebo by Vám mohla uklouznout ruka a mohli byste zavadit o rotující šroubovací nástavec (dřík) nebo vrták. To by mohlo být příčinou těžkého úrazu.

ÚDRŽBA



UPOZORNĚNÍ

Při výměně částí přístroje je nutné použít pouze originální náhradní díly. Použití jiných náhradních dílů může nejen poškodit nářadí, ale způsobit i vážné zranění.

K čištění plastových dílů nepoužívejte ředidla. Většina ředidel běžně dostupných v obchodní síti se nehodí k čištění plastových částí, neboť narušuje povrch plastů. K odstranění nečistot, prachu, oleje, maziv apod. použijte čistý hadr.



UPOZORNĚNÍ

Plastové části nářadí nesmí nikdy přijít do styku s brzdovou kapalinou, benzínem, produkty na bázi ropy, regenerovanými maznými oleji apod. Tyto výrobky obsahují chemikálie, které mohou poškodit, oslabit nebo zničit plastové části, případně snížit jejich životnost.

Elektronářadí zásadně nepřetěžujte. Přetěžování vrtacího šroubováku může poškodit nejen materiál, ale také nářadí.



UPOZORNĚNÍ

Na vrtacím šroubováku neprovádějte žádné úpravy a používejte pouze doporučené příslušenství. Tyto nepovolené úpravy nářadí či změny v používání příslušenství mohou vytvořit nebezpečné situace, které mohou vést k velmi závažnému zranění.



Русский

ПРАВИЛА ТЕХНИКИ БЕЗОПАСНОСТИ



ПРЕДУПРЕЖДЕНИЕ

При использовании аккумуляторными электрическими инструментами, во избежание пожара, травм и течи батареи, необходимо следовать основным правилам техники безопасности. Прежде чем пользоваться инструментом внимательно прочтите настоящие инструкции и храните их для последующих консультаций.

- Следите за чистотой и хорошим освещением рабочего места. Захламленные и плохо освещенные рабочие места ведут к несчастным случаям.
- Следите за рабочим местом. Не оставляйте электрические инструменты под дождем. Не пользуйтесь электрическим инструментом в мокрых и сырых местах. Не пользуйтесь электрическими инструментами в огнеопасных и взрывоопасных местах.
- Не пользуйтесь электрическими инструментами во взрывоопасной среде, например рядом с легко воспламеняемыми жидкостями, газом или пылью. Искры из электрических инструментов могут воспламенить их или взорвать.
- Не подпускайте детей и посторонних к рабочему месту во время работы с электрическим инструментом. Вы можете отвлечься и потерять контроль над инструментом.
- Будьте бдительны. При работе с электрическими инструментами следите за адекватностью своих действий и решений. Не пользуйтесь инструментом в уставшем состоянии. Не пользуйтесь инструментом в состоянии алкогольного или наркотического опьянения, а также под воздействием медикаментов. Не забывайте, что достаточно секунды невнимания, чтобы тяжело пораниться.
- Пользуйтесь адекватной одеждой. При работе избегайте широкой одежды и бижутерии. Они могут попасть в подвижные части. Покрывайте длинные волосы головным убором.
- Поддерживайте зарядное устройство в хорошем состоянии. Никогда не держите зарядное устройство за сетевой шнур. Не дергайте за зарядное устройство или за шнур, чтобы вынуть его из розетки. Держите сетевой шнур подальше от источников тепла, масла и режущих предметов.
- Фиксируйте заготовку. Для этого пользуйтесь струбцинами или тисками. Это надежнее, чем держать ее руками, кроме того у Вас освобождаются обе руки для работы инструментом.
- Тщательно обслуживайте инструменты. Для достижения наилучших результатов работы и оптимальной безопасности всегда держите инструменты чистыми и заточенными. Смазывайте и меняйте аксессуары в соответствии с инструкциями. Регулярно смазывайте инструмент. В случае поломки сдавайте его на ремонт квалифицированному технику в Центр технического обслуживания Ryobi. Следите за тем, чтобы ручки инструмента были всегда сухими и чистыми, чтобы на них не оставалось следов масла или жира.
- Проверяйте исправность деталей. Прежде чем продолжать пользоваться инструментом, проверьте рабочее состояние поврежденных деталей или аксессуаров. Проверяйте линейность подвижных деталей. Проверяйте целостность деталей. Проверяйте сборку и все элементы, от которых зависит работа инструмента. Защитный кожух полотна или любая другая деталь должны быть отремонтированы или заменены в Центре технического обслуживания Ryobi, если только в настоящем руководстве нет других указаний. Заменяйте сломанные выключатели в Центре технического обслуживания Ryobi. Не пользуйтесь инструментом, если выключатель не работает.
- Избегайте случайного запуска инструмента. Прежде чем устанавливать аккумулятор, убедитесь в том, что выключатель стоит в положении ВЫКЛ. или заблокирован. Переноска инструмента с пальцем на выключателе или с установленным аккумулятором при включенном выключателе ведет к несчастным случаям.
- Всегда держите равновесие. Крепко держитесь на ногах и не вытягивайте руки слишком далеко. Устойчивое рабочее положение позволяет лучше контролировать инструмент в случае неожиданности. Не пользуйтесь инструментом на лестнице или на другой неустойчивой поверхности.
- Пользуйтесь адекватными защитными средствами. Всегда защищайте глаза. При необходимости пользуйтесь пылезащитной маской, нескользящей обувью, каской и средствами звукоизоляции.
- Не форсируйте инструмент. Используйте инструмент, подходящий для данной работы. Инструмент будет работать производительней и надежней в режиме, для которого он был разработан.
- Перед настройкой, сменой аксессуаров или укладкой инструмента снимайте с него аккумулятор и проверяйте, чтобы выключатель стоял в положении "ВЫКЛ." или был заблокирован. Эти профилактические меры безопасности сокращают риск случайного запуска инструментов.



Русский

ПРАВИЛА ТЕХНИКИ БЕЗОПАСНОСТИ

- **В нерабочее время инструмент должен храниться в надежном месте (на высоте или под замком), вне пределов досягаемости детей и посторонних.** В руках неопытных пользователей инструменты представляют опасность.
- **Для работы с этой моделью инструмента пользуйтесь только рекомендованными изготовителем аксессуарами.** Аксессуары от одного инструмента могут представлять опасность, если их использовать с другим инструментом.
- **При обслуживании пользуйтесь только марочными запчастями.** Использование не марочных запчастей, несоблюдение инструкций по обслуживанию могут привести к удару током или тяжелым травмам.
- **Сдавайте дрель-отвертку в ремонт квалифицированному технику.** Ваш инструмент отвечает официальным стандартам безопасности. Ремонтные работы должны производиться квалифицированным техником с использованием марочных запчастей. Несоблюдение этой инструкции может представлять опасность для пользователя.
- **Не забывайте, что аккумуляторные инструменты всегда готовы к работе, ибо их не надо включать в сеть. Не забывайте о рисках, связанных с инструментами в нерабочее время и во время смены аксессуаров.** Во избежания рисков пожара, удара током и тяжелых травм всегда соблюдайте правила техники безопасности.
- **Избегайте контакта с электролитом аккумулятора в случае его разбрызгивания в экстремальных условиях работы.** Если электролит попал в глаза, обратитесь ко врачу.
- **Не оставляйте инструмент или его аккумулятор вблизи огня или источника тепла.** Таким образом, можно избежать риска взрыва и ранений.



ПРЕДУПРЕЖДЕНИЕ

Аккумуляторы выделяют водород и могут взорваться вблизи источника огня, например горелки. Во избежание тяжелых травм, никогда не пользуйтесь аккумуляторным инструментом вблизи открытого огня. Во время взрыва аккумулятора осколки и химикаты могут разбрызгаться. Если это произошло, немедленно протрите пораженную зону чистой водой.

ТЕХНИЧЕСКИЕ ХАРАКТЕРИСТИКИ

Модель	CDI-1803M
Напряжение	18 В
Диаметр патрона	13 мм
Выключатель	с регулятором скорости
Скорость на холостом ходу (режим сверления):	
– скорость 1	0 – 370 мин ⁻¹
– скорость 2	0 – 750 мин ⁻¹
– скорость 3	0 – 2200 мин ⁻¹
Скорость на холостом ходу (режим ударного сверления):	
– скорость 1	0 – 5920 мин ⁻¹
– скорость 2	0 – 12 000 мин ⁻¹
– скорость 3	0 – 35 200 мин ⁻¹
Максимальный вращающий момент	55 Н.м
Вес с аккумулятором	3 кг
Аккумулятор (вне комплекта):	BPP-1817M/BPP-1815M
Зарядное устройство (вне комплекта)	BC-1800/BC-1815-S

ОПИСАНИЕ

1. Самозатягивающийся патрон
2. Курок
3. Переключатель направления вращения (вперед/назад)
4. Насадки шуруповерта
5. Аккумулятор (вне комплекта)
6. Ограничитель глубины
7. Вспомогательная рукоятка
8. Застежки
9. Чтобы снять аккумулятор, нажмите на застежки
10. Затянуть
11. Отпустить
12. Глубина сверления
13. Убавить вращающий момент
14. Увеличить вращающий момент
15. Кольцо регулировки вращающего момента
16. Режим сверление
17. Режим ударного сверления
18. Переключатель направления вращения
19. Назад
20. Вперед
21. Снять насадку (отпустить)
22. Тиски патрона
23. Установить насадку (зажать)



Русский

РАБОТА

УСТАНОВКА АККУМУЛЯТОРА (ВНЕ КОМПЛЕКТА)

- Заблокируйте курок дрели-шуруповерта, установив переключатель направления вращения в центральном положении. *См. Рис. 6.*
- Вставьте аккумулятор в инструмент. Для этого совместите выступ аккумулятора с отверстием в основании инструмента. *См. Рис. 2.*
- Перед началом работы проверьте, чтобы аккумулятор правильно застегнулся на дрели-шуруповерте.

СНЯТИЕ АККУМУЛЯТОРА (ВНЕ КОМПЛЕКТА)

- Заблокируйте курок дрели-шуруповерта, установив переключатель направления вращения в центральном положении. *См. Рис. 6.*
- Чтобы снять аккумулятор с инструмента, нажмите на застёжки. *См. Рис. 2.*
- Снимите аккумулятор.

УСТАНОВКА ВСПОМОГАТЕЛЬНОЙ РУКОЯТКИ

См. Рис. 3.

Установка вспомогательной рукоятки:

- Отпустите кольцо крепления вспомогательной рукоятки, поворачивая ручку влево.
- Установите рукоятку в нужное положение.
- Крепко затяните кольцо крепления вспомогательной рукоятки, поворачивая ручку вправо.

РЕГУЛИРОВКА ОГРАНИЧИТЕЛЯ ГЛУБИНЫ

См. Рис. 4.

Регулировка положения ограничителя глубины:

- Заблокируйте курок, установив переключатель направления вращения в центральном положении.
- Отпустите кольцо крепления вспомогательной рукоятки, поворачивая ручку влево.
- Установите ограничитель глубины так, чтобы сверло выступало за него вперед на нужную глубину сверления.
- Крепко затяните вспомогательную рукоятку, поворачивая ручку вправо.

РЕГУЛИРОВКА ВРАЩАЮЩЕГО МОМЕНТА

См. Рис. 5.

Инструмент оснащен сцеплением, позволяющим регулировать вращающий момент в зависимости от материала заготовки. Настройте вращающий момент должным образом.

При работе в твердых материалах (кирпиче, черепице или бетоне) рекомендуется пользоваться сверлами из твердого сплава и работать в режиме "ударного сверления".



ПРЕДОСТЕРЕЖЕНИЕ

Ударная дрель-шуруповерт не предназначена для бурения. При использовании не по назначению инструмент может сломаться.

КУРОК

См. Рис. 6.

- Чтобы ЗАПУСТИТЬ дрель-шуруповерт, нажмите на курок.
- Чтобы ОСТАНОВИТЬ дрель-шуруповерт, отпустите курок.

РЕГУЛИРУЕМАЯ СКОРОСТЬ

Скорость инструмента изменяется в зависимости от силы нажатия на курок. Чем сильнее давление на курок, тем выше скорость. При медленном отпускании курка скорость падает.

БЛОКИРОВКА

См. Рис. 6.

Курок можно заблокировать в положении "ВЫКЛ." Эта возможность позволяет избежать невольного запуска инструмента в нерабочее время. Чтобы заблокировать курок, установите переключатель направления вращения (закручивание / откручивание) в центральное положение.

Примечание: Когда переключатель направления вращения стоит в центральном положении, курок заблокирован.

СМЕНА НАПРАВЛЕНИЯ ВРАЩЕНИЯ

См. Рис. 6.

Направление вращения инструмента может быть изменено. Оно управляется переключателем над курком. Когда Вы держите дрель-шуруповерт в нормальном рабочем положении, переключатель направления вращения должен находиться слева от курка, чтобы позволить сверление или закручивание. Если переключатель находится справа от курка, направление вращения изменено (откручивание). Когда переключатель направления вращения стоит в центральном положении, курок заблокирован. Чтобы остановить инструмент, отпустите курок и дождитесь, пока патрон полностью остановится.

F GB D E I P NL S DK N FIN GR H CZ **RUS** RO PL SLO HR TR

Русский

РАБОТА

ЭЛЕКТРИЧЕСКИЕ ТОРМОЗ

Дрель-шурупверт оснащена электрическим тормозом. При отпускании курка патрон перестает вращаться. При нормальной работе тормоза сквозь вентиляционную решетку картера видны искры. Наличие искр свидетельствует о нормальной работе электрического тормоза.

РЕГУЛИРОВКА СКОРОСТИ

См. Рис. 8.

Регулировка скорости:

- Для работы на самой высокой скорости: поставьте переключатель скоростей на "3".
- Для работы на высокой скорости: поставьте переключатель скоростей на "2".
- Для работы на малой скорости: поставьте переключатель скоростей на "1".

Примечание: Если регулятор скорости передвигается с трудом, поверните патрон рукой, чтобы скорость включилась.



ПРЕДОСТЕРЕЖЕНИЕ

Во избежание порчи сцепления, прежде чем менять скорость или направление вращения, подождите, пока патрон полностью остановится.

САМОЗАТЯГИВАЮЩИЙСЯ ПАТРОН

См. Рис. 7.

Дрель-шурупверт оснащена самозатягивающимся патроном. Насадки инструмента можно устанавливать и снимать вручную. Поворачивайте патрон рукой.

Стрелки на патроне указывают направление вращения патрона для установки и снятия насадок.



ПРЕДУПРЕЖДЕНИЕ

Не пытайтесь устанавливать насадку, держа патрон одной рукой и запуская инструмент, чтобы повернуть патрон и зажать насадку в тисках патрона. Патрон может повернуться, а Ваша рука – соскользнуть и попасть под вращающуюся насадку или сверло. Это влечет за собой тяжелые травмы.

ОБСЛУЖИВАНИЕ



ПРЕДУПРЕЖДЕНИЕ

В случае ремонта пользуйтесь только марочными запчастями Ryobi. Использование других запчастей может представлять опасность или повредить инструмент.

Никогда не пользуйтесь растворителями для чистки пластмассовых деталей. Большинство пластмасс может повредиться от обычных растворителей. Для снятия грязи, масла, жира, пыли и т.д. пользуйтесь чистой тряпкой.



ПРЕДУПРЕЖДЕНИЕ

Пластмассовые детали никогда не должны обрабатываться тормозной жидкостью, бензином, нефтепродуктами, едкими маслами и т.д. Эти химикаты содержат вещества, которые могут испортить, ослабить или разрушить пластмассу.

Не будьте чрезмерно требовательными к инструменту. Форсирование инструмента может повредить его или заготовку.



ПРЕДУПРЕЖДЕНИЕ

Не пытайтесь модифицировать дрель-шурупверт или приспосабливать к ней аксессуары не рекомендованные изготовителем. Подобные модификации и преобразования представляют собой неправильное использование инструмента и могут создать опасные ситуации, влекущие тяжелые травмы.

F GB D E I P NL S DK N FIN GR H CZ RUS **RO** PL SLO HR TR

Română

MĂSURI DE SECURITATE



AVERTISMENT

În timpul utilizării aparatelor electrice, trebuie să respectați măsurile de securitate de bază pentru a reduce riscurile de incendii, electrocutare și de răniri corporale. Citiți toate instrucțiunile înainte de a utiliza această unealtă și păstrați-le pentru a le putea consulta ulterior.

- **Aveți grijă ca locul de muncă să fie bine iluminat.** Spațiile înghesuite și întunecate sunt propice accidentelor.
- **Țineți cont de condițiile de muncă.** Nu expuneți uneltele la ploaie. Nu utilizați aparate electrice în apă sau în locuri foarte umede. Nu utilizați mașini electrice în locuri care prezintă riscuri de incendiu sau de electrocutare.
- **Nu utilizați scule electrice într-un mediu exploziv, în apropiere de gaz sau lichide inflamabile sau în prezența prafului.** Scântelele ce provin de la utilaje electrice le pot incendia și provoca o explozie.
- **Nu lăsați copiii sau vizitatorii să se apropie de locul de muncă.** Ar putea să vă distragă atenția și să pierdeți controlul mașinii.
- **Fiți atent. Priviți cu atenție ceea ce faceți și utilizați mașinile electrice cu discernământ. Nu utilizați niciodată aparatul când sunteți obosit. Nu utilizați aparatul dacă ați băut alcool sau ați consumat droguri sau dacă luați medicamente.** Nu uitați niciodată că numai câteva fracțiuni de secundă de neatenție sunt suficiente pentru a vă răni foarte grav.
- **Purtați îmbrăcămintea adecvată. Nu purtați haine largi sau bijuterii ce se pot agăța în elementele mobile.** Dacă aveți părul lung, protejați-l prin acoperire.
- **Aveți grijă să mențineți încărcătorul în stare bună.** Nu țineți niciodată încărcătorul de cablu de alimentare și nu trageți de încărcător sau de cablu pentru a-l scoate din priză. Aveți grijă să țineți cordonul de alimentare departe de sursele de căldură, să nu fie în contact cu ulei sau cu obiecte tăioase.
- **Fixați bine piesa de prelucrat.** Utilizați prese de lemn sau menghine pentru a fixa piesa de prelucrat. Este mult mai sigur decât să vă folosiți mâna; în plus, astfel veți avea două mâini libere pentru a utiliza mașina.
- **Întrețineți cu grijă utilajul.** Pentru rezultate cât mai bune și o securitate optimă, aveți grijă ca instrumentele să fie tot timpul curate și ascuțite.

Ungeți și schimbați accesoriile în funcție de instrucțiuni. Inspectați regulat mașina și dacă s-a deteriorat trebuie reparată de către un tehnician calificat dintr-un Centru Service Agreat Ryobi. Aveți grijă ca mânerul să fie întotdeauna uscate, curate, fără urme de ulei sau de grăsime.

- **Verificați că nici o piesă nu este deteriorată. Înainte de a continua să folosiți unealta, verificați că o piesă sau un accesoriu deteriorate pot încă să funcționeze sau să-și îndeplinească funcția. Controlați alinierea pieselor mobile. Verificați că nici o piesă nu este spartă. Controlați montajul și toate celelalte elemente ce ar putea afecta funcționarea uneltei.** O apărătoare sau orice altă piesă defectă trebuie reparată sau înlocuită într-un Centru Service Agreat Ryobi cu excepția indicațiilor contrare din acest manual de utilizare. Înlocuiți orice întrerupător stricat într-un Centru Service Agreat Ryobi. Nu utilizați acest aparat dacă întrerupătorul nu permite pornirea și oprirea acestuia.
- **Evitați orice pornire involuntară. Asigurați-vă că butonul de pornire este în poziția "oprit" sau blocat înainte de a introduce bateria.** Riscați să provocați accidente dacă deplasați unealta având degetul pe butonul de pornire sau dacă introduceți bateria în timp ce butonul de pornire este în poziția "pornit".
- **Aveți grijă să fiți tot timpul în poziție de echilibru. Țineți-vă bine pe picioare și nu întindeți brațul prea departe.** O poziție de lucru stabilă vă permite să controlați mai bine unealta în cazul unor evenimente neașteptate. Nu utilizați aparatul pe scara mobilă sau pe un suport instabil.
- **Purtați un echipament de protecție adecvat. Protejați-vă întotdeauna ochii.** Purtați, de asemenea, o mască de praf, încălțăminte anti-derapantă, o cască sau antifoane atunci când este cazul.
- **Nu forțați mașina. Utilizați mașini adaptate lucrului pe care doriți să-l faceți.** Aparatul dumneavoastră va fi mai eficient și mai sigur dacă îl utilizați în regimul pentru care a fost conceput.
- **Scoateți bateria din aparat și asigurați-vă că întrerupătorul este blocat pe poziția "oprit" înainte de a face reglaje, de a schimba accesoriile sau când depozitați aparatul.** Aceste măsuri preventive de securitate reduc riscul de pornire involuntară a aparatelor.

F GB D E I P NL S DK N FIN GR H CZ RUS **RO** PL SLO HR TR

Română

MĂSURI DE SECURITATE

- **Când nu sunt utilizate, uneltele trebuie păstrate într-un loc uscat, la înălțime sau închis cu cheia, unde copiii și alte persoane fără experiență nu au acces.** Uneltele sunt periculoase în mâna persoanelor fără experiență.
- **Utilizați numai accesorii recomandați de către fabricant pentru acest model.** Accesorii adaptați pentru o anumită uneltă pot fi periculoase dacă sunt utilizate cu o altă uneltă.
- **Pentru întreținere, trebuie utilizate numai piese de schimb originale.** Utilizarea de piese neomologate sau nerespectarea instrucțiunilor de întreținere riscă să conducă la electrocutare sau răni corporale grave.
- **Burghiul-șurubelniță trebuie să fie reparat de un tehnician calificat.** Această uneltă electrică respectă normele legale de securitate. Orice reparație trebuie să fie efectuată de către un tehnician calificat, utilizând piese de schimb originale. Nerespectarea acestor măsuri, riscă să pună utilizatorul în pericol.
- **Nu uitați că aparatele fără fir sunt întotdeauna gata de funcționare, neavând nevoie să fie conectate la priza electrică. Fiți atenți la riscurile legate de uneltele fără fir atunci când nu le utilizați și în timp ce schimbați accesorii.** Respectați întotdeauna măsurile de securitate pentru a reduce riscurile de incendiu, de electrocutare și de accidente corporale.
- **Evitați orice contact cu lichidul de la baterie dacă se scurge lichid în timpul unei utilizări în condiții extreme.** Dacă ochii sunt atinși, consultați imediat un medic.
- **Nu plasați o mașină fără fir sau o baterie în apropierea focului sau a unei surse de căldură.** Reduceți astfel riscurile de explozie și de răni grave.



AVERTISMENT

Bateriile degajă hidrogen și pot să explodeze în prezența unei surse de aprindere, cum ar fi o flăcără de veghe. Pentru a reduce riscurile de răni grave, nu utilizați niciodată o uneltă fără fir în apropierea unei flăcări. În cazul unei explozii a bateriei pot fi împrăștiate resturi și produse chimice. Dacă se întâmplă acest lucru, spălați imediat zona atinsă cu apă de robinet.

CARACTERISTICI TEHNICE

Model	CDI-1803M
Tensiune	18 V
Capacitatea mandrinei	13 mm
Întreprător	viteză variabilă
Viteza în gol	
(modul mașină de găurit):	
- viteza 1	0 - 370 min ⁻¹
- viteza 2	0 - 750 min ⁻¹
- viteza 3	0 - 2200 min ⁻¹
Viteza în gol (modul percuție):	
- viteza 1	0 - 5920 min ⁻¹
- viteza 2	0 - 12000 min ⁻¹
- viteza 3	0 - 35200 min ⁻¹
Cuplu maxim	55 Nm
Greutate, cu baterie	3 kg
Baterie (nu este furnizată):	BPP-1817M/BPP-1815M
Încărcător (nu este furnizat)	BC-1800/BC-1815-S

DESCRIERE

1. Mandrină cu strângere automată
2. Buton de pornire
3. Selector al sensului de rotație (înainte / înapoi)
4. Capete de șurubelniță
5. Baterie (nu este furnizată)
6. Opritor de profunzime
7. Mâner auxiliar
8. Dispozitive de blocare
9. Apăsăți pe dispozitivele de blocare pentru a scoate bateria
10. Pentru a înșuruba
11. Pentru a deșuruba
12. Profunzimea de găurire
13. Pentru a reduce cuplul
14. Pentru a mări cuplul
15. Inel de reglare a cuplului
16. Mod mașină de găurit
17. Mod percuție
18. Selector al sensului de rotație
19. Înapoi

F GB D E I P NL S DK N FIN GR H CZ RUS **RO** PL SLO HR TR

Română

DESCRIERE

20. Înainte
 21. Pentru a scoate vârful (a-l deșurba)
 22. Fălcile mandrinei
 23. Pentru a fixa vârful (a-l strânge)

FUNCȚIONARE

INSTALAREA BATERIEI (NU ESTE FURNIZATĂ)

- Blocați butonul de pornire al burghiului-șurubelniță așezând selectorul sensului de rotație în poziție centrală. *Vezi figura 6.*
- Introduceți bateria în burghiul-șurubelniță. Pentru aceasta, aliniați nervurile bateriei cu canalele situate la baza aparatului. *Vezi figura 2.*
- Asigurați-vă că bateria se prinde bine pe burghiul-șurubelniță înainte de a-l utiliza.

SCOATEREA BATERIEI (NU ESTE FURNIZATĂ)

- Blocați butonul de pornire al burghiului-șurubelniță așezând selectorul sensului de rotație în poziție centrală. *Vezi figura 6.*
- Reperați dispozitivele de blocare a bateriei și apăsați pe ele pentru a detașa bateria de burghiul-șurubelniță. *Vezi figura 2.*
- Scoateți bateria din burghiul-șurubelniță.

INSTALAREA MÂNERULUI AUXILIAR

Vezi figura 3.

Urmați etapele de mai jos pentru a instala mânerul auxiliar:

- Deșurubați inelul de fixare a mânerului auxiliar rotind mânerul spre stânga.
- Așezați mânerul auxiliar în poziția dorită.
- Strângeți inelul de fixare al mânerului auxiliar rotind ferm mânerul spre dreapta.

REGLAJELE OPRITORULUI DE PROFUNZIME

Vezi figura 4.

Urmați pașii de mai jos pentru a regla poziția opritorului de profunzime:

- Blocați butonul de pornire așezând selectorul sensului de rotație în poziție centrală.
- Deșurubați inelul de fixare a mânerului auxiliar rotind mânerul spre stânga.

- Așezați opritorul de profunzime astfel încât burghiul să depășească extremitatea opritorului cu profunzimea de găurire dorită.
- Strângeți mânerul auxiliar rotind ferm mânerul spre dreapta.

REGLAREA CUPLULUI DE STRÂNGERE

Vezi figura 5.

Mașina de găurit-înșurubat este echipată cu un ambreiaj care permite reglarea cuplului de strângere în funcție de materialul de găurit sau de înșurubat. Reglați cuplul după necesități.

Vă recomandăm să utilizați burghie cu vârf din carbură și să folosiți mașina în modul percuție atunci când găuriți într-un material dur cum ar fi cărămidă, țiglă, beton etc.



ATENȚIE

Mașina de găurit-înșurubat cu percuție nu este concepută pentru perforarea inversată. Nerespectarea acestui avertisment se poate solda cu daune materiale.

BUTONUL DE PORNIRE

Vezi figura 6.

- Pentru a PORNI burghiul-șurubelniță, apăsați pe butonul de pornire.
- Pentru a OPRI burghiul-șurubelniță, eliberați butonul de pornire.

VITEZĂ VARIABILĂ

Butonul de pornire al utilajului permite variația vitezei în funcție de presiunea exercitată. Cu cât presiunea exercitată este mai mare, cu atât crește și viteza. Pe măsură ce eliberați butonul de pornire, viteza scade.

FUNCȚIA DE BLOCARE

Vezi figura 6.

Butonul de pornire poate fi blocat în poziția "oprit". Această funcție permite evitarea pornirilor involuntare ale burghiului-șurubelniță atunci când nu îl utilizați. Pentru a bloca butonul de pornire, așezați selectorul sensului de rotație (sens înșurubat / deșurubat) în poziția centrală.

Observație: Atunci când selectorul este în poziția centrală, butonul de pornire este blocat.

F GB D E I P NL S DK N FIN GR H CZ RUS **RO** PL SLO HR TR

Română

FUNCȚIONARE

SCHIMBAREA SENSULUI DE ROTAȚIE

Vezi figura 6.

Puteți inversa sensul de rotație al burghiului-șurubelniță. Sensul de rotație este controlat de un selector situat deasupra butonului de pornire. Atunci când țineți burghiul-șurubelniță în poziție normală de utilizare, selectorul sensului de rotație trebuie să se afle în partea stângă a butonului de pornire pentru a permite înșurubarea/găurirea. Sensul de rotație este inversat (sens de deșurubare) atunci când selectorul se află în partea dreaptă a butonului de pornire. Atunci când selectorul este în poziția centrală, butonul de pornire este blocat. Pentru a opri mașina, eliberați butonul de pornire și așteptați ca mandrina să se oprească complet din rotație.

FRÂNĂ ELECTRICĂ

Burghiul-șurubelniță este echipat cu o frână electrică. Atunci când eliberați butonul de pornire, mandrina se oprește din rotație. Atunci când frâna funcționează corect, puteți vedea scânteii prin orificiile de ventilație ale carcasei. Aceste scânteii sunt normale și înseamnă că frâna este utilizată.

REGLAREA VITEZEI

Vezi figura 8.

Respectați instrucțiunile următoare pentru reglarea vitezei:

- Pentru o viteză foarte mare: apăsați butonul de selectare a vitezei pe poziția 3.
- Pentru o viteză mare: apăsați butonul de selectare a vitezei pe poziția 2.
- Pentru o viteză mică: apăsați butonul de selectare a vitezei pe poziția 1.

Remarcă: Dacă butonul de selectare a vitezei se apasă greu, rotiți mandrina cu mâna până când viteza este selectată.



ATENȚIE

Pentru a evita deteriorarea ambreiajului, așteptați ca mandrina să fie oprită complet înainte de a selecta o altă viteză sau de a inversa sensul de rotație.

MANDRINA CU STRÂNGERE AUTOMATĂ

Vezi figura 7.

Burghiul-șurubelniță este echipat cu o mandrină cu strângere automată. După cum indică numele ei, puteți fixa și scoate vârfurile cu mâna. Rotiți mandrina cu mâna.

Săgețile desenate pe mandrină indică direcția în care aceasta trebuie învârtită pentru a FIXA (strânge) sau a SCOATE (slăbi) vârful.



AVERTISMENT

Nu încercați să fixați un vârf ținând mandrina cu o mână și pornind burghiul-șurubelniță pentru a învârti mandrina și a strânge vârful între fălcile mandrinei. Mandrina poate aluneca și mâna vă poate ajunge în contact cu vârful de înșurubare sau cu burghiul în rotație. Aceasta poate provoca răni corporale grave.

NTREȚINERE



AVERTISMENT

Nu utilizați decât piese de schimb identice în cazul reparațiilor. Utilizarea altor piese prezintă pericol pentru utilizator sau poate să deterioreze aparatul.

Nu utilizați solvenți pentru curățarea pieselor din plastic. Majoritatea pieselor din plastic pot fi deteriorate de solvenții disponibili în comerț. Utilizați o cârpă curată pentru a curăța murdăriile, praful, urmele de ulei și de vaselină, etc.



AVERTISMENT

Elementele din plastic nu trebuie să intre niciodată în contact cu lichid de frână, cu benzină, cu produse petrolifere, cu uleiuri minerale, etc. Aceste produse chimice conțin substanțe care pot slăbi sau distruge plasticul.

Nu cereți PREA MULTE de la aparatele dvs. electrice. Utilizările abuzive pot defecta aparatul precum și piesa pe care o prelucrați.



AVERTISMENT

Nu încercați să modificați acest aparat sau să adăugați accesorii a căror utilizare cu acest aparat nu este recomandată. Astfel de transformări sau modificări fac parte din ceea ce se numește utilizare abuzivă și sunt susceptibile să producă situații periculoase ce pot provoca răni corporale grave.

F GB D E I P NL S DK N FIN GR H CZ RUS RO **PL** SLO HR TR

Polski

WYMAGANIA BHP



OSTRZEŻENIE

W celu zmniejszenia ryzyka pożaru, urazów cielesnych, czy wycieku płynu z akumulatora, przy używaniu elektronarzędzi akumulatorowych należy koniecznie przestrzegać podstawowych wymagań BHP. Zanim zaczniecie używać tego narzędzia zapoznajcie się z wszystkimi instrukcjami i zachowajcie je, tak by móc się do nich odnieść w późniejszym czasie.

- **Dopilnujcie, aby wasza przestrzeń robocza była czysta i dobrze oświetlona.** Przestrzenie zagrazone i ciemne są źródłem wypadków.
 - **Bierzcie pod uwagę wasze otoczenie robocze.** Nie wystawiajcie waszych narzędzi na deszcz. Nie używajcie narzędzi elektrycznych w miejscach zmoczonych lub bardzo wilgotnych. Nie używajcie elektronarzędzi w miejscach grożących pożarem lub porażeniem prądem.
 - **Nie używajcie elektronarzędzi w otoczeniu wybuchowym, na przykład w pobliżu płynów łatwopalnych, gazu, pyłów.** Iskry wytworzone przez elektronarzędzia mogłyby doprowadzić do ich zapalenia czy wybuchu.
 - **Kiedy używacie elektronarzędzi, trzymajcie z dala dzieci i osoby postronne.** Mogłyby one odwrócić waszą uwagę i spowodować utratę kontroli nad narzędziami.
 - **Zachowajcie czujność. Podczas użytkowania elektronarzędzia, patrzcie uważnie na to co robicie i odwołujcie się do zdrowego rozsądku.** Nie używajcie waszego narzędzia kiedy jesteście zmęczeni. Nie należy używać narzędzia pod wpływem alkoholu, narkotyków czy lekarstw. Nie zapominajcie, że wystarczy ułamek sekundy nieuwagi, aby doszło do poważnego zranienia.
 - **Noście odpowiednie ubrania. Nie noście luźnych ubrań, czy też biżuterii, które mogą być pochwycone przez poruszające się części.** Jeżeli macie długie włosy, powinniście je chronić nakrywając je.
 - **Utrzymujcie ładowarkę w stanie sprawnym do działania.** Nie trzymajcie nigdy waszej ładowarki za przewód zasilający i nigdy nie ciągnijcie za ładowarkę czy za przewód zasilający w celu wyłączenia go. Przewód zasilający powinien się znajdować z dala od wszelkiego źródła ciepła, oleju czy wszelkich ostrych przedmiotów.
 - **Przytrzymujcie w miejscu obrabiany przedmiot.** Używajcie ścisków lub imadła w celu zamocowania obrabianego przedmiotu.
- Jest to pewniejsze niż postugiwanie się waszą ręką i dzięki temu macie wolne obydwie ręce do obsługi narzędzia.
- **Konserwujcie starannie wasze narzędzie.** Z myślą o lepszych wynikach i optymalnym bezpieczeństwie, dopilnujcie aby wasze narzędzia były zawsze czyste i naostrzone. Smarujcie i zmieniajcie akcesoria według instrukcji. Przeglądajcie regularnie wasze narzędzie i jeżeli jest ono uszkodzone, należy je oddać do naprawy wykwalifikowanemu technikowi z Autoryzowanego Punktu Serwisowego RYOBI. Dopilnujcie by uchwytły były zawsze suche i czyste, bez śladów oleju czy smaru.
 - **Sprawdźcie czy jakaś część nie jest uszkodzona. Przed dalszym użytkowaniem narzędzia, sprawdźcie czy uszkodzona część może dalej działać lub spełniać swoje funkcje. Sprawdźcie ustawienie ruchomych części. Sprawdźcie czy jakaś część nie jest zepsuta. Skontrolujcie montaż i wszelkie elementy, które mogłyby ujemnie wpłynąć na działanie narzędzia.** Kaptur ochronny czy jakakolwiek inna część uszkodzona powinna być oddana do naprawy lub wymiany do Autoryzowanego Punktu Serwisowego RYOBI, z wyjątkiem przeciwnych wskazań w podręczniku obsługi. Każdy zdefektowany wyłącznik należy wymienić w Autoryzowanym Punkcie Serwisowym Ryobi. Nie używajcie urządzenia jeżeli wyłącznik nie pozwala zatrzymać i uruchomić tego urządzenia.
 - **Unikajcie przypadkowego włączenia. Przed włożeniem akumulatora, należy się upewnić, że włącznik jest w pozycji "wyłączone", albo że jest zablokowany.** Jeżeli przeniosicie narzędzie trzymając palec na włączniku, lub gdy wsadzacie akumulator, kiedy włącznik jest w pozycji "włączone", możecie doprowadzić do wypadku.
 - **Zawsze zachowujcie pozycję równowagi. Opierajcie się dobrze na waszych nogach i nie wyciągajcie ramion zbyt daleko.** W razie przypadkowego zdarzenia, stabilna pozycja przy pracy umożliwi lepsze panowanie nad narzędziem. Nie używajcie waszego narzędzia na drabinie czy na jakiegokolwiek innej niestabilnej podstawie.
 - **Noście odpowiednie wyposażenie ochronne. Należy zawsze chronić oczy.** Zakładajcie również maskę przeciwpyłową, obuwie przeciwpoślizgowe, kask i/lub ochrony słuchowe, kiedy zachodzi taka potrzeba.
 - **Nie przeciążajcie waszego narzędzia. Należy używać narzędzia dostosowanego do prac, które chcecie wykonać.** Wasze narzędzie będzie bardziej wydajne i pewne, jeżeli będziecie je używali zgodnie z przeznaczeniem.

F GB D E I P NL S DK N FIN GR H CZ RUS RO **PL** SLO HR TR

Polski

WYMAGANIA BHP

- **Przed przystąpieniem do regulowania, wymiany akcesoriów czy chowania narzędzia wyciągnijcie akumulator z narzędzia i upewnijcie się, że wyłącznik jest zablokowany lub znajduje się w pozycji "zatrzymane".** Te prewencyjne środki bezpieczeństwa ograniczają ryzyko przypadkowego włączenia się narzędzi.
- **Narzędzie, którego przestaliście używać, powinno być schowane w suchym miejscu, ułożone na wysokości lub zamknięte na klucz, poza zasięgiem dzieci czy wszelkiej innej niedoświadczonej osoby.** Narzędzia są niebezpieczne w rękach niedoświadczonych osób.
- **Używajcie jedynie akcesoriów zalecanych przez producenta do tego modelu.** Akcesoria odpowiednie dla danego narzędzia mogą stanowić niebezpieczeństwo, jeżeli są używane z innym narzędziem.
- **Podczas konserwacji powinno się używać tylko oryginalnych części zamiennych.** Używanie nieautoryzowanych części czy też nieprzestrzeganie instrukcji dot. konserwacji stwarza zagrożenie porażenia prądem elektrycznym lub poważnych obrażeń ciała.
- **Oddajcie do naprawy waszą wiertarko-wkrętarkę wyspecjalizowanemu technikowi.** Narzędzie to spełnia wymogi normatywne przepisów bezpieczeństwa pracy. Naprawy powinny być wykonywane przez wyspecjalizowanego technika przy użyciu oryginalnych części zamiennych. Nie przestrzeganie tego zalecenia, mogłoby spowodować niebezpieczną sytuację dla użytkownika.
- **Nie zapominajcie, że bezprzewodowe narzędzie jest stale gotowe do pracy, gdyż nie zachodzi potrzeba włączenia do gniazdka elektrycznego. Miejcie na uwadze zagrożenia związane z narzędziami bezprzewodowymi, wtedy kiedy nie są używane, jak i podczas wymiany akcesoriów.** Należy zawsze przestrzegać tych zaleceń z myślą o zmniejszeniu ryzyka pożaru, porażenia prądem elektrycznym czy też obrażeń ciała.
- **Unikajcie wszelkiego kontaktu z płynem akumulatorowym, na wypadek gdyby płyn wyprysnął podczas użytkowania w ekstremalnych warunkach.** Jeżeli wasze oczy zostały dotknięte, zasięgnijcie natychmiast porady lekarza.
- **Nie umieszczajcie narzędzia bezprzewodowego czy akumulatora w pobliżu ognia czy źródła ciepła.** W ten sposób ograniczycie ryzyko wybuchu czy zranienia.



OSTRZEŻENIE

Akumulatory wydzielają wodór i mogą wybuchnąć w obecności źródeł samozapłonu, takich jak płomyk zapalający. Aby ograniczyć ryzyko poważnych obrażeń ciała, nigdy nie używajcie narzędzia bezprzewodowego w pobliżu nieostoiętego płomienia. Odpady produktów chemicznych mogą być odrzucone podczas wybuchu akumulatora. Jeżeli dojdzie do takiej sytuacji, należy natychmiast przepłukać dotkniętą strefę czystą wodą.

PARAMETRY TECHNICZNE

Model	CDI-1803M
Napięcie	18 V
Średnica uchwyty zaciskowego	13 mm
Włącznik	prędkość zmienna
Prędkość bez obciążenia (przy trybie wiercenia):	
- 1. bieg	0 - 370 min ⁻¹
- 2. bieg	0 - 750 min ⁻¹
- 3. bieg	0 - 2200 min ⁻¹
Prędkość bez obciążenia (przy trybie udaru):	
- 1. bieg	0 - 5920 min ⁻¹
- 2. bieg	0 - 12000 min ⁻¹
- 3. bieg	0 - 35200 min ⁻¹
Maks moment dokręcania	55 Nm
Ciężar z akumulatorem	3 kg

Akumulator (nie objęty dostawą): BPP-1817M/BPP-1815M
Ładowarka (nie objęta dostawą) BC-1800/BC-1815-S

OPIS

1. Samozaciskowy uchwyt wiertarski
2. Spust - włącznik
3. Wybierak kierunku obrotów (do przodu / do tyłu)
4. Końcówki wkręcające
5. Akumulator (nie objęty dostawą)
6. Ogranicznik głębokości
7. Uchwyt pomocniczy
8. Mechanizm blokady
9. Naciśnijcie na mechanizm blokady w celu wyciągnięcia akumulatora
10. Aby dokręcić
11. Aby odkręcić
12. Głębokość wiercenia
13. Aby zmniejszyć moment
14. Aby zwiększyć moment
15. Pierścień regulowania momentu
16. Tryb wiercenia

F GB D E I P NL S DK N FIN GR H CZ RUS RO **PL** SLO HR TR

Polski

OPIS

17. Tryb uderzenia 3
18. Wybierak kierunku obrotów
19. Tył
20. Przód
21. Aby wyjąć końcówkę (odkręcić)
22. Zęby uchwytu narzędziowego
23. Aby przymocować końcówkę (dokręcić)

FUNKCJONOWANIE

INSTALOWANIE AKUMULATORA (NIE OBJĘTY DOSTAWĄ)

- Zablokujcie spust-włącznik waszej wiertarko-wkrętarki ustawiając wybierak kierunku obrotów w pozycji centralnej. *Patrz rysunek 6.*
- Wprowadźcie akumulator do waszej wiertarko-wkrętarki. W tym celu, wyrównajcie wypukłe linie (przetłoczenia wzmacniające) akumulatora z rowkami (wyżłobienia) znajdującymi się w podstawie narzędzia. *Patrz rysunek 2.*
- Upewnijcie się, że akumulator dobrze zaskakuje (jest poprawnie zamocowany) w wiertarko-wkrętarce zanim jej użyjecie.

WYCIĄGANIE AKUMULATORA (NIE OBJĘTY DOSTAWĄ)

- Zablokujcie spust-włącznik waszej wiertarko-wkrętarki ustawiając wybierak kierunku obrotów w pozycji centralnej. *Patrz rysunek 6.*
- Znajdźcie system blokady akumulatora i naciśnijcie na niego w celu wyjęcia akumulatora z wiertarko-wkrętarki. *Patrz rysunek 2.*
- Wyjmijcie akumulator z waszej wiertarko-wkrętarki.

INSTALOWANIE UCHWYTU POMOCNICZEGO

Patrz Rysunek 3

Aby zainstalować uchwyt pomocniczy, należy iść za następującymi etapami:

- Odkręćcie pierścień mocujący uchwytu pomocniczego, obracając rączkę w lewo.
- Umieścić uchwyt pomocniczy w pożądanej pozycji
- Dokręćcie pierścień mocujący uchwytu pomocniczego, obracając rączkę w prawą stronę zdecydowanym ruchem.

REGULOWANIE OGRANICZNIKA GŁĘBOKOŚCI CIĘCIA

Patrz rysunek 4

Aby ustawić pozycję ogranicznika głębokości, należy iść za następującymi etapami:

- Zablokujcie spust-włącznik ustawiając wybierak kierunku obrotów w pozycji centralnej.
- Odkręćcie pierścień mocujący uchwytu pomocniczego, obracając rączkę w lewo.
- Umieście ogranicznik głębokości w taki sposób, by wiertło nie wystawało za końcówkę ogranicznika głębokości pożądanego wiercenia.
- Dokręćcie uchwyt pomocniczy obracając zdecydowanie rączkę w prawą stronę.

REGULOWANIE MOMENTU DOKRĘCANIA

Patrz rysunek 5

Wasza wiertarko-wkrętarka wyposażona jest sprzęgło, które pozwala regulować moment dokręcania w zależności od materiału do przewiercenia czy przykręcenia. Wyregulujcie moment dokręcania jak trzeba.

Zalecamy Państwu używanie wiertel z końcówkami z węglików i ustawienie narzędzia w trybie uderowym, kiedy wiercicie w twardych materiałach jak cegła, dachówki, beton, etc.



UWAGA

Wasza udarowa wiertarko-wkrętarka nie została zaprojektowana do odwrotnego wiercenia udarowego. Nie zastosowanie się do tej uwagi ostrzegającej może pociągnąć za sobą straty materialne.

SPUST-WŁĄCZNIK

Patrz rysunek 6.

- Aby URUCHOMIĆ waszą wiertarko-wkrętarkę, naciśnijcie na spust.
- Aby ZATRZYMAĆ waszą wiertarko-wkrętarkę, zwolnijcie palec ze spustu.

PRĘDKOŚĆ ZMIENNA

Spust - włącznik waszego narzędzia pozwala na regulowanie prędkości w zależności od siły nacisku. Im większa siła wywieranego nacisku, tym bardziej prędkość wzrasta. W miarę jak spuszczaście palec ze spustu, prędkość maleje.

FUNKCJA BLOKADY

Patrz rysunek 6.

Spust- włącznik może być zablokowany w pozycji "wyłączony" Funkcja ta pozwala uniknąć przypadkowego włączenia wiertarko-wkrętarki, której nie używacie. Aby zablokować spust-włącznik należy ustawić wybierak kierunku obrotów (kierunek przykręcania/odkręcania) w pozycji centralnej.

F GB D E I P NL S DK N FIN GR H CZ RUS RO **PL** SLO HR TR

Polski

FUNKCJONOWANIE

Objaśnienie: Kiedy wybierak znajduje się w pozycji centralnej, spust-włącznik jest zablokowany.

ZMIANA KIERUNKU OBROTÓW

Patrz rysunek 6.

Możecie zmienić kierunek obrotów waszej wiertarko-wkrętarki. Kierunek obrotów kontrolowany jest przy pomocy wybieraka znajdującego się nad spustem-włącznikiem. Kiedy trzymacie waszą wiertarko-wkrętarkę w normalnej pozycji obsługi, wybierak kierunku obrotów powinien się znajdować po lewej stronie spustu w celu umożliwienia wkręcania/wiercenia. Kierunek obrotów jest zmieniony (kierunek wykręcania) kiedy wybierak znajduje się po prawej stronie spustu-włącznika. Kiedy wybierak znajduje się w pozycji centralnej, spust-włącznik jest zablokowany. Aby zatrzymać wasze narzędzie zwołnijcie przycisk włącznika i zaczekajcie aż uchwyt narzędziowy zupełnie przestanie się obracać.

HAMULEC ELEKTRYCZNY

Wasza wiertarko-wkrętarka wyposażona jest w hamulec elektryczny. Kiedy zwalniacie palec ze spustu-włącznika, uchwyt narzędziowy przestaje się obracać. Przy normalnym funkcjonowaniu hamulca możecie zauważyć iskry przez szczeliny wentylacyjne obudowy. Te iskry są normalnym zjawiskiem i oznaczają używania hamulca.

USTAWIANIE PRĘDKOŚCI

Patrz rysunek 8

W celu ustawienia prędkości, przestrzegajcie poniższych instrukcji:

- By uzyskać bardzo dużą prędkość: przestawcie przycisk wybierania prędkości na 3.
- By uzyskać dużą prędkość: przestawcie przycisk wybierania prędkości na 2.
- By uzyskać małą prędkość: przestawcie przycisk wybierania prędkości na 1.

Objaśnienie: Jeżeli przycisk wybierania prędkości jest trudno uruchomić, obracajcie uchwyt zaciskowy ręką aż zaskoczy prędkość.



UWAGA

Aby uniknąć uszkodzenia sprzęgła, zaczekajcie aż uchwyt będzie zupełnie zatrzymany zanim wybierze inną prędkość lub zmienicie kierunek obrotów.

SAMOZACISKOWY UCHWYT WIERTARSKI

Patrz rysunek 7.

Wasza wiertarko-wkrętarka wyposażona jest w samozaciskowy uchwyt wiertarski. Jak wskazuje jego nazwa, umożliwia zamocowanie i wyjmowanie końcówek ręką (bez klucza). Obracajcie ręcznie uchwyt zaciskowy. Strzałki narysowane na uchwycie narzędziowym wskazują kierunek w którym powinno się go obracać aby ZAMOCOWAĆ (dokręcić) lub ZDJĄĆ (wykręcić) końcówkę.



OSTRZEŻENIE

Nie próbujcie zamocować końcówki trzymając uchwyt narzędziowy jedną ręką i uruchamiając wiertarko-wkrętarkę w celu obrócenia uchwytu i zaciśnięcia końcówki w zębach uchwytu. Uchwyt mógłby wyslizgnąć się wam z ręki, czy ręką mogłaby zjechać i dotknąć obracającej się końcówki wkręcającej lub wiertła. To może być przyczyną wypadku i poważnych obrażeń ciała.

KONSERWACJA



OSTRZEŻENIE

Należy używać tylko oryginalnych części zamiennych w wypadku wymiany. Użycie jakiegokolwiek innej części mogłoby spowodować zagrożenie lub też uszkodzić wasze narzędzie.

Nie używajcie rozpuszczalników do mycia części plastikowych. Większość plastików, może ulec uszkodzeniu przez użycie rozpuszczalników dostępnych w sprzedaży. Używajcie czystej szmatki do usunięcia zabrudzeń, pyłu, oleju, smaru, itd.



OSTRZEŻENIE

Części plastikowe nigdy nie powinny być w kontakcie z płynem hamulcowym, benzyną, czy produktami na bazie ropy naftowej, przenikliwymi olejami itd. Substancje te zawierają produkty chemiczne, które mogłyby uszkodzić, osłabić lub zniszczyć plastik.

Nie oczekujcie zbyt wiele od waszych elektronarzędzi. Błędne użycie może uszkodzić wasze narzędzie oraz obrabiany przedmiot.



OSTRZEŻENIE

Nie próbujcie modyfikować wiertarko-wkrętarki czy też dorzucać akcesoriów, których użycie nie jest zalecane. Takie przekształcenia czy modyfikacje kwalifikuje się do błędnego użycia i mogą one pociągać za sobą niebezpieczne sytuacje grożące poważnymi obrażeniami ciała.

F GB D E I P NL S DK N FIN GR H CZ RUS RO PL **SLO** HR TR

Slovensko

NAVODILA ZA VARNO UPORABO



OPOZORILO

Ko uporabljate naprave z baterijami, vedno upoštevajte naslednje osnovne varnostne ukrepe, da zmanjšate verjetnost požara, iztekanja baterij in telesnih poškodb: Pred uporabo izdelka preberite in shranite ta navodila za uporabo.

- **Poskrbite za čisto in dobro osvetljeno delovno okolje.** Nered na delovnem pultu in temna območja povzročajo nesreče.
- **Upoštevajte svoje delovno okolje.** Ne dovolite, da bi po orodju deževalo in ga ne uporabljajte na mokrem ali vlažnem mestu. Ne uporabljajte orodja, kjer lahko pride do požara ali električnega udara.
- **Ne uporabljajte električnega orodja, če zaradi prisotnosti vnetljivih tekočin, plinov ali prahu v zraku lahko pride do eksplozije.** Električna orodja namreč povzročajo iskre, ki lahko vžgejo prah ali hlape.
- **Ne dovolite, da bi se vam med delom z električnim orodjem približali mimoidoči, otroci ali obiskovalci.** Ti vas lahko zmotijo in povzročijo, da izgubite oblast nad orodjem.
- **Bodite pozorni, glejte kaj delate in pri delu z električnim orodjem ravnajte razumno. Ne uporabljajte orodja, če ste utrujeni ali pod vplivom drog, alkohola ali zdravil.** Ko uporabljate električno orodje, lahko trenutek nepozornosti povzroči resne telesne poškodbe.
- **Oblecite se primerno. Ne nosite ohlapnih oblačil ali nakita.** Spnite dolge lasje. Ne dovolite, da bi se vaši lasje, obleka ali rokavice približale premikajočim se delom. Ohlapna obleka, nakit ali dolgi lasje se lahko ujamejo med premikajoče se dele.
- **Ne ravnajte neprimerno z napajalnim kablom.** Ko prenašate polnilec, ga ne držite za kabel in ne vlecite sunkovito, ko kabel izklapljate iz vtičnice. Poskrbite, da kabel ne bo izpostavljen toploti, oljem ali ostrim robovom.
- **Vpnite predmet, ki ga obdelujete.** Predmet vpnite s spono ali v primež. To je bolj varno, kot če ga držite z roko, saj lahko z obema rokama držite orodje.
- **Skrbno vzdržujte orodje.** Poskrbite, da bo orodje za rezanje vedno nabrušeno in čisto, saj bo tako delovalo boljše in bolj varno. Sledite navodilom za podmazovanje in menjavo pribora. Občasno se prepričajte, ali je kabel orodja poškodovan. Če je, naj vam ga popravijo v pooblaščenih servisnih delavnicah.
- **Ročice naj bodo ves čas suhe, čiste in brez madežev olja ali masti.**
- **Preglejte poškodovane dele. Preden nadaljujete z uporabo orodja, pazljivo preglejte poškodovani del in se prepričajte, da pravilno deluje ter služi svojemu namenu.** Prepričajte se, da so premikajoči se deli pravilno naravnani, da se prosto premikajo, da niso poškodovani, da so brezhibno montirani in tudi o vseh ostalih vidikih, ki bi lahko vplivali na delovanje orodja. Zaščitne elemente in druge poškodovane dele mora popraviti pooblaščen servisni center, razen če v navodilih za uporabo ni določeno drugače. Okvarjena stikala naj vam zamenjajo v pooblaščenih servisnih delavnicah. Orodja ne uporabljajte, če ga s stikalom ne morete vklopiti in izklopiti.
- **Pazite, da orodja ne vklopite po nesreči.** Preden vstavite baterijo se prepričajte, da je stikalo v izklopljenem ali zaklenjenem položaju. Če orodje prenašate s prstom na stikalo ali vstavite baterijo v orodje, ko je stikalo v vklopljenem položaju, lahko povzročite nesrečo.
- **Ne poizkušajte preveč iztegniti rok.** Ves čas bodite pozorni, da stojite trdno in v ravnotežju. V takem položaju boste lažje obvladali orodje, če pride do nepričakovanih zapletov. Orodja ne uporabljajte na lestvi ali nestabilni podpori.
- **Uporabljajte varnostno opremo.** Vedno nosite zaščito za oči. Ko je potrebno, si nadenite tudi masko proti prahu, varnostne čevlje, ki ne zdrsujejo, trdo pokrivalo za glavo in zaščito za ušesa.
- **Ne prekoračujte zmogljivosti električnih naprav.** Uporabite orodje, ki je primerno za vaše potrebe. Če orodje uporabljate, tako kot je predvideno, boste delo opravili boljše in bolj varno.
- **Ko nameravate spreminjati nastavitve, menjati pribor ali shraniti orodje, prej vedno izključite baterijo z orodja oziroma stikalo prestavite v zaklenjen položaj.** Tako boste zmanjšali nevarnost, da bi orodje zagnali po nesreči.
- **Orodje hranite tako, da ni v dosegu otrok in oseb, ki ga ne znajo uporabljati.** V rokah neizkušanih uporabnikov je orodje lahko nevarno.
- **Uporabljajte samo pribor (svetre in podobno), ki ga za vaš model priporoča proizvajalec.** Pribor, ki je primeren za eno orodje, lahko povzroči poškodbe, če ga vstavite v drugo orodje.
- **Ob servisiranju orodja uporabljajte samo identične rezervne dele.** Če uporabite nepriporočene dele ali ne upoštevate navodil za vzdrževanje, lahko povzročite električni udar ali poškodbe.



Slovensko

NAVODILA ZA VARNO UPORABO

- **Orodje naj popravlja le kvalificirano osebje.**
Ta naprava je v skladu z ustreznimi varnostnimi zahtevami. Vsa popravila naj izvaja kvalificirano osebje, ki uporablja originalne rezervne dele, sicer lahko pride do resne nevarnosti za uporabnika
- **Naprav z baterijami ni potrebno vklapljeti v vtičnico, saj so vedno pripravljene za delovanje.**
Zavedajte se možnih nevarnosti, tudi ko naprave z baterijami ne uporabljate ali menjate sestavne dele. Če boste ravnali tako, boste zmanjšali možnost električnega udara, požara in resnih telesnih poškodb.
- **Če iz baterij zaradi neprimernih pogojev izteče tekočina, se je ne dotikajte.** Če se to vendarle zgodi, sperite z vodo. Če tekočina pride v stik z očmi, poiščite zdravniško pomoč.
- **Naprav z baterijami oziroma baterij ne postavljajte v bližino ognja ali vira toplote.** Tako boste zmanjšali možnost eksplozije in poškodb.



OPOZORILO

Iz baterij izhaja vodik, ki lahko eksplodira v prisotnosti sprožilca vžiga, kot je na primer vžigni (pilotni) plamen. Zato je za preprečitev resnih telesnih poškodb nujno, da brezžičnih naprav nikoli ne uporabljate v bližini odprtega ognja. Iz baterije med eksplozijo letijo njeni deli in kemikalije. Če se vas dotaknejo, takoj sperite z vodo.

ZNAČILNOSTI

Model	CDI-1803M
Napetost	18 V
Vpenjalna glava	13 mm
Stikalo za vklop	Spremenljiva hitrost
Hitrost brez obremenitve (način vrtnika):	
- Nizka hitrost	0 - 370 min ⁻¹
- Visoka hitrost	0 - 750 min ⁻¹
- Zelo visoka hitrost	0 - 2200 min ⁻¹
Hitrost brez obremenitve (način udarnega vrtnika):	
- Nizka hitrost	0 - 5920 min ⁻¹
- Visoka hitrost	0 - 12000 min ⁻¹
- Zelo visoka hitrost	0 - 35200 min ⁻¹
Največji navor	55 Nm
Teža - skupaj z baterijo	3 kg
Baterija (niso priložene)	BPP-1817M/BPP-1815M
Polnilec (ni priložen)	BC-1800/BC-1815-S

OPIS

1. Samozatezna vpenjalna glava
2. Stikalo za vklop
3. Stikalo za izbiro smeri vrtenja (naprej/nazaj)
4. Nastavki za vijahnik
5. Baterija (ni vključena)
6. Palica za določitev globine
7. Pomožni ročaj
8. Zaskočna zapaha
9. Pritisnite na zaskočna zapaha, da sprostite baterijo
10. Za privijanje
11. Za odvijanje
12. Globina vrtnja
13. Za zmanjšanje vrtilnega momenta
15. Obroč za nastavitev vrtilnega momenta
16. Način vrtnja
17. Način udarnega vrtnja
18. Stikalo za izbiro smeri vrtenja (naprej/nazaj)
19. Nazaj
20. Naprej
21. Stikalo
21. Odklep (sprostitvev)
22. Čeljusti vpenjalne glave
23. Zaklep (privijanje)

DELOVANJE

VSTAVITEV BATERIJE (NI VKLJUČENA)

- Zaklenite stikalo za vklop, tako da stikalo za izbiro smeri vrtenja postavite v sredinski položaj. *Glejte Sliko 6.*
- Vstavite baterijo v vrtnik. Poravnajte dvignjeno vodilo na bateriji z utorom na notranji strani vrtnika. *Glejte Sliko 2.*
- Pred uporabo se prepričajte, da zapaha na bateriji zaskočita v končni položaj in je baterija trdno nameščena v vrtniku.

ODSTRANJEVANJE BATERIJE (NI VKLJUČENA)

- Zaklenite stikalo za vklop, tako da stikalo za izbiro smeri vrtenja postavite v sredinski položaj. *Glejte Sliko 6.*
- Poiščite zaskočna zapaha na bateriji, pritisnite nanju in sprostite baterijo iz vrtnika. *Glejte Sliko 2.*
- Odstranite baterijo iz vrtnika.

F GB D E I P NL S DK N FIN GR H CZ RUS RO PL **SLO** HR TR

Slovensko

DELOVANJE

NASTAVITEV POMOŽNEGA ROČAJA

Glejte Sliko 3.

Ko želite nastaviti pomožni ročaj, upoštevajte naslednja navodila.

- Odvijte pomožni ročaj, tako da gumb vrtite v nasprotni smeri urinega kazalca.
- Obrnite pomožni ročaj v zeleni položaj.
- Pritrdite pomožni ročaj, tako da vrtite gumb v smeri urinega kazalca.

NASTAVITEV PALICE ZA DOLOČITEV GLOBINE

Glejte Sliko 4.

Ko želite nastaviti palico za določitev globine, upoštevajte naslednja navodila.

- Zaklenite stikalo za vklop, tako da stikalo za izbiro smeri vrtenja prestavite v sredinski položaj.
- Odvijte pomožni ročaj, tako da gumb vrtite v nasprotni smeri urinega kazalca.
- Nastavite palico za določitev globine tako, da sveder sega toliko preko konca palice, kot želite, da naj bo globina izvrtane luknje.
- Pritrdite pomožni ročaj, tako da vrtite gumb v smeri urinega kazalca.

NASTAVITEV VRTILNEGA MOMENTA

Glejte Sliko 5.

Orodje vsebuje nastavljivo sklopko, ki omogoča vrtenje in vijačenje različnih vijakov v različne materiale. Nastavite ustrezen vrtilni moment.

Svetujemo, da za vrtenje v trde materiale, na primer opeko, keramične ploščice, beton in podobno uporabite svedre z karbidno konico in izberete način udarnega vrtenja.



POZOR

Vrtalnik ni namenjen vrtenju v vzvratni smeri. Če tega opozorila ne boste upoštevali, lahko nastane škoda.

STIKALO

Glejte Sliko 6.

- Pritisnite stikalo za vklop, da vklopite vrtalnik.
- Vrtalnik izklopite, ko stikalo za vklop sprostite.

SPREMENLJIVA HITROST

Vrtalnik ima stikalo za spreminjanje hitrosti. Bolj močno ko pritisnete stikalo za vklop, hitreje in z večjim navorom se bo vrtel. Hitrost kontrolirate s tem, kako močno pritisnete na stikalo za vklop.

ZAKLEP STIKALA

Glejte Sliko 6.

Stikalo lahko v izklopljenem položaju (OFF) tudi zaklenete. Uporabite to možnost, da preprečite neželeni zagon vrtalnika, ko ga ne uporabljate. Stikalo za vklop zaklenete tako, da stikalo za izbiro smeri vrtenja (vrtenje naprej/nazaj) postavite v sredinski položaj.

Opomba: Ko je to stikalo v sredinskem položaju, je stikalo za vklop zaklenjeno.

SPREMEMBA SMERI

Glejte Sliko 6.

Smer vrtenja vrtalnika lahko po želji obrnete. To storite s stikalom, ki se nahaja nad stikalom za vklop. Ko vrtalnik držite v običajnem položaju, stikalo za smer vrtenja pomaknite levo od stikala za vklop. Če stikalo za smer vrtenja premaknete desno od stikala za vklop, se bo smer vrtenja obrnila (odvijanje vijakov). Ko je to stikalo v sredinskem položaju, je stikalo za vklop zaklenjeno. Ko želite zaustaviti vrtalnik, sprostite stikalo za vklop in počakajte, da se vpenjalna glava popolnoma ustavi.

ELEKTRIČNA ZAVORA

Vrtalnik ima električno zavoro. Ta zaustavi vpenjalno glavo, ko sprostite stikalo za vklop. Ko zavora deluje, lahko skozi reže za prezračevanje opazite iskre. To je povezano z običajnim delovanjem zavoro.

NASTAVITEV HITROSTI

Glejte Sliko 8.

Ko želite spremeniti hitrost vrtenja, upoštevajte naslednja navodila.

- Za zelo visoko hitrost: Potisnite tristopenjsko stikalo v položaj "3".
- Za visoko hitrost: Potisnite tristopenjsko stikalo v položaj "2".
- Za nizko hitrost: Potisnite tristopenjsko stikalo v položaj "1".

Opomba: Če imate težave z nastavljanjem hitrosti, ročno zavrtite vpenjalno glavo, da se zobniki premaknejo v pravi položaj.



POZOR

Če želite ohraniti zobnike v dobrem stanju, pred nastavljanjem hitrosti ali spremembo smeri vrtenja vedno počakajte, da se vpenjalna glava popolnoma zaustavi.

F GB D E I P NL S DK N FIN GR H CZ RUS RO PL **SLO** HR TR

Slovensko

DELOVANJE

SAMOZATEZNA VPENJALNA GLAVA

Glejte Sliko 7.

Vrtalnik je opremljen s samozatezno vpenjalno glavo. Kot nakazuje ime, lahko svedre ročno (brez orodja) vpenete in odstranite iz čeljusti vpenjalne glave. Z eno roko vrtite vpenjalno glavo,

Puščice na vpenjalni glavi označujejo, v katero smer morate vrteti njeno ohišje, da sveder VPNETE (zategnete) oziroma SPROSTITTE (odstranite).



OPOZORILO

Ne poizkušajte držati ohišja vpenjalne glave z roko, hkrati pa zagnati vrtalnika, da bi vpeli sveder v čeljusti. Ohišje vpenjalne glave lahko zdrsne, ali pa zdrsne vaša roka, ki se potem lahko dotakne vrtečega se svedra. To lahko povzroči nesrečo in resne telesne poškodbe.

VZDRŽEVANJE



OPOZORILO

Ob servisiranju orodja uporabljajte samo identične nadomestne dele. Če uporabite kak drug del, lahko povzročite nevarnost ali okvaro izdelka.

Izogibajte se uporabi topil za čiščenje plastičnih delov, saj je večina plastičnih materialov občutljiva na mnoge vrste dostopnih topil in jih ta lahko poškodujejo. Za odstranjevanje umazanije, prahu, olja, masti in podobnega uporabljajte čisto krpo.



OPOZORILO

Ne dovolite, da bi zavorne tekočine, gorivo, izdelki, ki vsebujejo petrolej, olja in podobno kadarkoli prišli v stik s plastičnimi deli. Te snovi vsebujejo kemikalije, ki lahko poškodujejo, oslabijo ali uničijo plastiko.

Ne prekoračujte zmogljivosti električnih naprav, saj lahko poškodujete tako orodje kakor tudi predmet, ki ga obdelujete.



OPOZORILO

Ne poizkušajte spreminjati tega orodja ali izdelovati pripomočkov, za katere ta naprava ni predvidena. Take spremembe so primer napačne uporabe in lahko povzročijo nevarnost in resne telesne poškodbe.



Hrvatski

SIGURNOSNE UPUTE



UPOZORENJE

Pri uporabi električnih bežičnih alata treba poštivati osnovne sigurnosne upute kako biste izbjegli opasnost od požara, tjelesnih ozljeda i curenja baterije. U cijelosti pročitajte upute prije nego što upotrebite alat i sačuvajte ih kako biste ih kasnije mogli konzultirati.

- **Neka vaša radna površina bude čista i dobro osvijetljena.** Površine na kojima ima mnogo stvari i koje su tamne pogodne su za nezgode.
- **Imajte na umu kakva je vaša radna okolina.** Alat nemojte izlagati kiši. Električni alat nemojte upotrebljavati na mokrim ili vrlo vlažnim mjestima. Električni alat nemojte upotrebljavati na mjestima gdje postoji opasnost od požara ili strujnog udara.
- **Električne alate nemojte upotrebljavati u eksplozivnoj okolini, primjerice u blizini zapaljivih tekućina, plina ili prašine.** Iskre koje izlaze iz električnih alata mogu ih zapaliti ili izazvati eksploziju.
- **Djecu, posjetitelje i životinje držite dalje od mjesta na kojem upotrebljavate električni alat.** Mogli bi vas omesti te biste zbog toga mogli izgubiti nadzor nad alatom.
- **Budite koncentrirani. Dobro gledajte što radite i oslonite se na zdravi razum dok upotrebljavate električni alat. Ne upotrebljavajte alat ako ste umorni.** Ne koristite se električnim alatom ako ste pod utjecajem alkohola ili droga ili ako uzimate lijekove.
- **Uvijek imajte na umu da je dovoljan samo djelić sekunde nepažnje kako biste se teško ozlijedili. Nosite odgovarajuću odjeću.** Nemojte nositi široku odjeću i nakit koji bi se mogli zaplesti u pokretne dijelove. Ako imate dugu kosu, pokrijte je i zaštitite.
- **Pazite da punjač bude u dobrom stanju.** Punjač nikad nemojte držati za kabel za napajanje, a punjač ni kabel nemojte vući ni prilikom isključivanja iz struje. Kabel za napajanje držite dalje od izvora topline, ulja i oštih predmeta.
- **Pazite da komad koji obrađujete bude na mjestu.** Za učvršćivanje komada koji obrađujete upotrebljavajte stegače ili škripac. To je sigurnije nego da ga držite samo rukom; osim toga, tako ćete imati dvije slobodne ruke za uporabu alata.
- **Brižno održavajte alat.** Za bolje rezultate i optimalnu sigurnost, pazite da alat uvijek bude čist i naoštren. Nauljite i mijenjajte nastavke prema uputama.

Redovito pregledavajte vaš alat i, ako primijetite oštećenja, odnesite ga na popravak ovlaštenom serviseru u ovlaštenu Ryobi servis. Pazite na to da ručke uvijek budu suhe, čiste te da na njima nema ostataka ulja ili masti.

- **Provjerite da niti jedan dio nije potrgan. Prije nego što nastavite upotrebljavati vaš alat, provjerite može li oštećeni dio ili nastavak nastaviti funkcionirati. Provjeravajte položaj pokretnih dijelova. Provjerite da niti jedan dio nije potrgan. Provjerite kako su dijelovi postavljeni te sve drugo što bi moglo utjecati na ispravni rad alata.** Zaštita za oštricu i svi drugi oštećeni dijelovi moraju biti popravljani ili zamijenjeni u ovlaštenom Ryobi servisu osim ako u ovom priručniku nije drugačije navedeno. Zamijenite sve oštećene prekidače u ovlaštenom Ryobi servisu. Ne upotrebljavajte električni alat ako prekidač ne omogućava da ga uključite i isključite.
- **Izbjegavajte svako nenamjerno pokretanje alata. Prije umetanja baterije provjerite je li otponac u položaju "isključeno" ili je li zaključan.** Ako prenosite alat tako što prst držite na otponcu ili ako umećete bateriju dok je otponac u položaju "uključeno", izlažete se opasnosti od nezgoda.
- **Uvijek držite dobru ravnotežu tijela. Stabilno stojte na nogama i nemojte stajati predaleko od aparata.** Stabilan položaj pri radu omogućava bolju kontrolu nad alatom u slučaju nepredviđenog događaja. Alat nemojte koristiti dok stojite na ljestvama ili na bilo kojem drugom nestabilnom osloncu.
- **Nosite prikladnu zaštitnu opremu. Uvijek zaštitite oči.** Ako je potrebno, nosite i masku protiv prašine, protuklizne cipele, slušalice i/ili štitnike za uši.
- **Ne primjenjujte silu. Upotrebljavajte alat koji je prilagođen onome što želite raditi.** Vaš električni alat bit će učinkovitiji i njegova uporaba sigurnija ako ga budete upotrebljavali za ono čemu je namijenjen.
- **Prije podešavanja alata, promjene nastavaka ili odlaganja, izvadite bateriju i provjerite je li prekidač zaključan ili se nalazi u položaju "isključeno".** Ove preventivne mjere sigurnosti smanjuju opasnost od neželjenog pokretanja alata.
- **Ako aparat ne upotrebljavate, treba ga spremi na sigurno mjesto (visoko ili zaključano), izvan doseg djece i neiskusnih osoba.** Alat postaje opasan u rukama neiskusnih korisnika.
- **Upotrebljavajte nastavke koje je za taj model preporučio proizvođač.** Pribor prilagođen posebnom alatu može predstavljati opasnost ako ga se upotrebljava s drugim alatom.



Hrvatski

SIGURNOSNE UPUTE

- **Kod održavanja treba koristiti samo originalne rezervne dijelove.** Uporaba dijelova koje nije preporučio proizvođač ili nepridržavanje uputa o održavanju mogu prouzročiti strujni udar ili teške tjelesne ozljede.
- **Sve popravke vaše bušilice-zavrtača treba obavljati ovlaštena osoba.** Ovaj električni alat usklađen je sa sigurnosnim propisima. Popravke treba obaviti ovlašteni serviser samo s originalnim rezervnim dijelovima. Nepoštivanje ove upute može dovesti korisnika u opasnost.
- **Ne zaboravite da su bežični alati uvijek spremni za uporabu budući da ne trebaju biti priključeni na struju.** Imajte na umu opasnosti povezane s bežičnim alatima kad ih ne upotrebljavate i pri zamjeni dodatka. Uvijek poštujte upute kako biste smanjili opasnost od požara, strujnog udara i tjelesnih ozljeda.
- **Izbjegavajte svaki dodir s tekućinom baterije u slučaju njenog prskanja koje je nastalo zbog uporabe baterije u ekstremnim uvjetima.** Ako je došlo do kontakta s očima, odmah se obratite liječniku.
- **Bežični alat ili bateriju nemojte držati u blizini vatre ili izvora topline.** Tako ćete smanjiti opasnost od eksplozije i ozljeda.



UPOZORENJE

Baterije ispuštaju hidrogen i mogu eksplodirati u nazočnosti izvora iskre, poput noćne svjetiljke. Kako biste smanjili opasnost od teških tjelesnih ozljeda, nikad bežični aparat ne upotrebljavajte blizu otvorene vatre. Ako dođe do eksplozije baterije, može doći do prskanja komadića i kemijskih proizvoda. Ako se to dogodi, isperite taj dio tijela čistom vodom.

KARAKTERISTIKE

Model	CDI-1803M
Napon	18 V
Kapacitet stezne glave	13 mm
Prekidač za promjenu brzine	
Brzina bez opterećenja (kod rada bušilice):	
- brzina 1	0 - 370 min ⁻¹
- brzina 2	0 - 750 min ⁻¹
- brzina 3	0 - 2200 min ⁻¹
Brzina bez opterećenja (udarni način rada):	
- brzina 1	0 - 5920 min ⁻¹
- brzina 2	0 - 12000 min ⁻¹

- brzina 3	0 - 35200 min ⁻¹
Maksimalni okretni moment	55 Nm
Težina s baterijom	3 kg
Baterija (ne isporučuje se):	BPP-1817M / BPP-1815M
Punjač (ne isporučuje se)	BC-1800/BC-1815-S

OPIS

1. Samostežuća stezna glava
2. Otponac
3. Sklopka za odabir smjera rotacije (naprijed/nazad)
4. Nastavci za vrtnjanje
5. Baterija (ne isporučuje se)
6. Štapić mjerača dubine
7. Pomoćna ručka
8. Zasuni
9. Pritisnite na zasune kako biste oslobodili bateriju
10. Za stezanje
11. Za otpuštanje
12. Dubina vrtnjanja
13. Za smanjenje okretnog momenta
14. Za povećanje okretnog momenta
15. Prsten za podešavanje okretnog momenta
16. Rad bušilice
17. Udarni način rada
18. Sklopka za odabir smjera rotacije
19. Nazad
20. Naprijed
21. Za skidanje nastavaka (otpuštanje)
22. Hvataljke stezne glave
23. Za učvršćivanje nastavaka (stezanje)

DJELOVANJE

POSTAVLJANJE BATERIJE (NE ISPORUČUJE SE)

- Zaključajte otponac vaše bušilice-zavrtača tako da sklopku za odabir smjera rotacije postavite u središnji položaj. *Vidi sliku 6.*
- Umetnite bateriju u bušilicu-zavrtač. Kako biste to učinili, poravnajte žilice baterije sa žljebovima koji se nalaze na dnu alata. *Vidi sliku 2.*
- Prije uporabe provjerite je li baterija na mjestu u bušilici-zavrtaču.

VAĐENJE BATERIJE (NE ISPORUČUJE SE)

- Zaključajte otponac vaše bušilice-zavrtača tako da sklopku za odabir smjera rotacije postavite u središnji položaj. *Vidi sliku 6.*



Hrvatski

DJELOVANJE

- Pronađite zasune koji se nalaze sa strane baterije i pritisnite ih kako biste mogli izvaditi bateriju iz bušilice-zavrtača. *Vidi sliku 2.*
- Izvadite bateriju iz bušilice-zavrtača.

POSTAVLJANJE POMOĆNE RUČKE

Vidi sliku 3.

Poduzmite sljedeće korake kako biste postavili pomoćnu ručku:

- Otpustite prsten za učvršćivanje pomoćne ručke okrećući dugme ulijevo.
- Postavite pomoćnu ručku u željeni položaj.
- Stegnite prsten za učvršćivanje pomoćne ručke okrećući čvrsto dugme na desno.

PODEŠAVANJE ŠTAPIČA MJERAČA DUBINE

Vidi sliku 4.

Poduzmite sljedeće korake kako biste podesili štapić mjeraca dubine:

- Zaključajte otklon tako da sklopku za odabir smjera rotacije postavite u središnji položaj.
- Otpustite prsten za učvršćivanje pomoćne ručke okrećući dugme ulijevo.
- Postavite štapić mjeraca dubine tako da se svrdlo proteže izvan štapića mjeraca dubine onoliko koliko je željena dubina vrtanja.
- Stegnite prsten za učvršćivanje pomoćne ručke čvrsto okrećući dugme udesno.

PODEŠAVANJE OKRETNOG MOMENTA

Vidi sliku 5.

Vaša bušilica-zavrtač opremljena je sustavom kvačenja koji omogućava podešavanje okretnog momenta ovisno o materijalu koji bušite ili vrtate. Podesite okretni moment kako vam odgovara.

Preporučamo vam uporabu svrdla s karbidnim vrhom te da alat stavite u udarni način rada kad bušite čvrste materijale poput opeke, crjepova, betona itd.



UPOZORENJE

Vaša bušilica-zavrtač nije namijenjena perforiranju. Nepoštivanje ove upute može dovesti do materijalnih oštećenja.

OTPONAC

Vidi sliku 6.

- Kako biste UKLJUČILI bušilicu-zavrtač, pritisnite otklonac.

- Kako biste je ISKLJUČILI, otpustite otklonac.

PROMJENA BRZINE

Otklonac vašeg alata omogućava vam promjenu brzine ovisno o pritisku. Što je pritisak veći, povećava se brzina. Kako postupno otpuštate otklonac, brzina se smanjuje.

ZAKLJUČAVANJE

Vidi sliku 6.

Zasun se može zaključati u položaju "isključeno". Ova funkcija omogućava da se izbjegnu neželjena pokretanja vaše bušilice-zavrtača dok je ne upotrebljavate. Kako biste otklonac zaključali, postavite sklopku za odabir smjera rotacije (smjer zavrtnja / odvrtanja) u središnji položaj. Napomena: Kad se sklopka nalazi u središnjem položaju, otklonac je blokiran.

PROMJENA SMJERA ROTACIJE

Vidi sliku 6.

Smjer rotacije vaše bušilice-zavrtača možete promijeniti. Smjer rotacije kontrolira se pomoću sklopke koja se nalazi iznad otklonca. Dok bušilicu-zavrtač držite u normalnom radnom položaju, sklopka za odabir smjera rotacije mora se nalaziti lijevo od otklonca za vrtanje/bušenje. Smjer rotacije je suprotan (smjer odvrtanja) kad se sklopka nalazi s desne strane otklonca. Kad se sklopka nalazi u središnjem položaju, otklonac je blokiran. Kako biste zaustavili alat, otpustite otklonac i pričekajte da se stezna glava potpuno zaustavi.

ELEKTRIČNA KOČNICA

Vaša bušilica-zavrtač opremljena je električnom kočnicom. Kad je otklonac otpušten, stezna glava se prestaje vrtjeti. Kad kočnica ispravno radi, kroz otvore za ventilaciju vidljive su iskre. Te iskre su normalne i ukazuju na to da kočnica radi.

PODEŠAVANJE BRZINE

Vidi sliku 8.

Poštujte sljedeće upute za podešavanje brzine:

- Za jako veliku brzinu: postavite dugme za odabir brzine na 3.
 - Za veliku brzinu: postavite dugme za odabir brzine na 2.
 - Za malu brzinu: postavite dugme za odabir brzine na 1.
- Napomena:** Ako je dugme za odabir brzine teško pokrenuti, okrenite steznu glavu ručno dok se ne dobije ubrzanje.



Hrvatski

DJELOVANJE



UPOZORENJE

Kako biste izbjegli oštećenja kvačila, pričekajte da se stezna glava sasvim zaustavi prije nego što odaberete drugu brzinu ili promijenite smjer rotacije.

SAMOSTEŽUĆA STEZNA GLAVA

Vidi sliku 7.

Vaša bušilica-zavrtač opremljena je samostežućom steznom glavom. Kao što samo ime govori, možete ručno pričvršćivati i skidati nastavke. Ručno okrenite steznu glavu.

Streljice koje se nalaze na steznoj glavi označavaju smjer u kojem steznu glavu treba okretati za UČVRŠĆIVANJE (stiskanje) ili SKIDANJE (otpuštanje) nastavka.



UPOZORENJE

Ne pokušavajte učvršćivati nastavak držeći steznu glavu jednom rukom i okrećući bušilicu-zavrtač kako biste okrenuli steznu glavu i stisnuli nastavak u hvataljke stezne glave. Stezna glava bi mogla skliznuti u vašoj ruci ili bi vaša ruka mogla skliznuti i doći u dodir s nastavkom za vrtnje ili rotirajućim šiljkom svrdla. To bi moglo izazvati nezgodu ili teške tjelesne ozljede.

ODRŽAVANJE



UPOZORENJE

U slučaju zamjene treba koristiti samo originalne rezervne dijelove. Uporaba drugih rezervnih dijelova može predstavljati opasnost ili oštetiti alat.

Za čišćenje plastičnih dijelova ne upotrebljavajte razrjeđivače. Većinu plastičnih materijala razrjeđivači koji su dostupni u prodaji mogu oštetiti. Za uklanjanje nečistoća, prašine, ulja, masti i drugog upotrebljavajte čistu krpu.



UPOZORENJE

Plastični dijelovi nikad ne smiju doći u dodir s tekućinom za kočnicu, benzinom, proizvodima na bazi nafte, uljima itd. Ti kemijski proizvodi sadrže supstance koje mogu oštetiti ili uništiti plastiku.

Ne tražite previše od svog električnog alata. Neprimjerena uporaba može oštetiti alat, kao i komad koji obrađujete.



UPOZORENJE

Ne pokušavajte mijenjati vašu bušilicu-zavrtač ili dodavati opremu čija se uporaba ne preporuča. Takve preinake i modifikacije prouzročit će neprikladnu uporabu alata te moguće opasne situacije u kojima može doći do teških tjelesnih ozljeda.

F GARANTIE - CONDITIONS

Ce produit Ryobi est garanti contre les vices de fabrication et les pièces défectueuses pour une durée de vingt-quatre (24) mois, à compter de la date faisant foi sur l'original de la facture établie par le revendeur à l'utilisateur final.

Les détériorations provoquées par l'usure normale, par une utilisation ou un entretien anormal ou non autorisé, ou par une surcharge sont exclues de la présente garantie de même que les accessoires tels que batteries, ampoules, lames, embouts, sacs, etc.

En cas de mauvais fonctionnement au cours de la période de garantie, veuillez envoyer le produit **NON DÉMONTÉ** avec la preuve d'achat à votre fournisseur ou au Centre Service Agréé Ryobi le plus proche de chez vous. Vos droits légaux se rapportant aux produits défectueux ne sont pas remis en cause par la présente garantie.

GB WARRANTY - STATEMENT

All Ryobi products are guaranteed against manufacturing defects and defective parts for a period of twenty four (24) months from the date stated on the original invoice drawn up by the retailer and given to the end user. Deterioration caused by normal wear and tear, unauthorised or improper use or maintenance, or overload are excluded from this guarantee as are accessories such as battery packs, light bulbs, blades, fittings, bags, etc. In the event of malfunction during the warranty period, please take the **NON-DISMANTLED** product, along with the proof of purchase, to your retailer or nearest Authorised Ryobi Service Centre.

This warranty in no way affects your legal rights concerning defective products.

D GARANTIE - BEDINGUNGEN

Für alle Ryobi-Produkte gilt eine Garantie gegen Material- und Verarbeitungsfehler für einen Zeitraum von vierundzwanzig (24) Monaten ab dem Datum der vom Wiederverkäufer für den Endbenutzer ausgestellten Originalrechnung.

Fehler, die auf Grund einer normalen Abnutzung, einer unberechtigten oder falschen Wartung oder Handhabung oder durch eine Überbelastung auftreten, sind von der Garantie ausgeschlossen. Dies gilt auch für Zubehörteile wie Batterien, Glühlampen, Sägeblätter, Ansatzstücke, Beutel usw.

Senden Sie das Produkt im Fall eines Defekts innerhalb des Garantiezeitraumes in **NICHT ZERLEGTEM** Zustand zusammen mit dem Kaufnachweis an Ihren Händler oder Ihr nächstes Ryobi-Kundendienstzentrum zurück.

Diese Garantie hat keine Auswirkungen auf Ihre gesetzlichen Rechte in Bezug auf fehlerhafte Produkte.

E GARANTÍA - CONDICIONES

Este producto Ryobi está garantizado contra los defectos de fabricación y las piezas defectuosas por un período de veinticuatro (24) meses, a partir de la fecha que figura en el original de la factura establecida por el distribuidor al usuario final.

Se excluyen de la presente garantía los deterioros provocados por un desgaste normal, una utilización o mantenimiento incorrecto o no autorizado, y una sobrecarga, así como los diversos accesorios: baterías, bombillas, hojas, puntas, bolsas, etc.

En caso de funcionamiento incorrecto durante el período de la garantía, envíe el producto **SIN DESMONTAR** con la prueba de compra a su proveedor o al Centro de Servicio Acreditado Ryobi más cercano a su domicilio.

Los derechos legales relacionados con los productos defectuosos no son cuestionados por la presente garantía.

I GARANZIA - CONDIZIONI

Questo prodotto Ryobi è garantito contro tutti i difetti di fabbricazione e pezzi difettosi per una durata di ventiquattro (24) mesi, a partire dalla data indicata sull'originale della fattura compilata dal rivenditore e consegnata all'utente finale.

Il deterioramento provocato dall'usura normale, da un utilizzo o una manutenzione non conformi o non autorizzati, o da un sovraccarico, è escluso dalla presente garanzia. La garanzia è esclusa anche per gli accessori come batterie, lampadine, lame, punte, borse, ecc.

In caso di malfunzionamento nel corso del periodo di garanzia, riportare il prodotto **NON SMONTATO** corredato della prova d'acquisto al fornitore o al più vicino Centro di Assistenza Autorizzato Ryobi.

I diritti legali relativi ai prodotti difettosi non sono rimessi in causa dalla presente garanzia.

P GARANTIA - CONDIÇÕES

Este produto Ryobi está garantido contra os vícios de fabrico e as peças defeituosas por um prazo de vinte e quatro (24) meses, a contar da data que faz fé no original da factura emitida pelo vendedor ao utilizador final. As deteriorações provocadas pelo desgaste normal, por uma utilização ou uma manutenção anormal ou não autorizada, ou por uma sobrecarga ficam excluídas da presente garantia assim como os acessórios tais como baterias, lâmpadas, lâminas, ponteiros, sacos, etc.

No caso de mau funcionamento durante o período de garantia, queira enviar o produto **NÃO DESMONTADO** com a prova de compra ao seu fornecedor ou ao Centro de Serviço Autorizado Ryobi mais próximo.

Os seus direitos legais relativos aos produtos defeituosos não são prejudicados pela presente garantia.

NL GARANTIEVOORWAARDEN

Dit Ryobi product is gewaarborgd tegen fabricagefouten en defecte onderdelen gedurende een periode van vierentwintig (24) maanden, te rekenen vanaf de officiële datum op het origineel van de door de wederverkoper aan de eindgebruiker uitgeschreven rekening.

Beschadigingen veroorzaakt door normale slijtage, door abnormaal of ongeoorloofd gebruik of onderhoud, of door overbelasting vallen niet onder deze garantie, evenmin als accu's, lampen, bits, snijbladen, zakken enz.

In geval van slechte werking tijdens de garantieperiode, wordt u verzocht het **NIET GEDEMONTTEERDE** product samen met de koopbon aan uw leverancier of aan het dichtstbijzijnde Ryobi servicecentrum te sturen.

Deze garantie doet niet af aan uw wettelijke rechten met betrekking tot defecte producten.

S GARANTI - VILLKOR

Ryobi garanterar denna produkt mot fabriktionsfel och defekta delar under tjugofyra (24) månader, räknat från det datum som anges på originalfakturan fastställt av återförsäljaren och överlämnad till slutanvändaren.

Denna garanti täcker inte skador som förorsakas av normalt slitage, av onormal eller otillåten användning eller skötsel, eller av överbelastning. Den täcker inte heller tillbehör som batterier, glödlampor, blad, ändstycken, påsar, osv.

I händelse av felaktig funktion medan garantin är i kraft skall produkten sändas **UTAN ATT DEMONTERAS** tillsammans med inköpsbeviset till leverantören eller till närmaste servicecenter som auktoriserats av Ryobi.

De rättigheter som lagen ger i förhållande till defekta produkter ifrågasätts inte av denna garanti.

DK GARANTI - REKLAMATIONSRET

Der er reklamationsret på dette Ryobi produkt for fabrikationsfejl og defekte dele i fireogtyve (24) måneder fra gyldighedsdatoen på originalfakturaen udstedt af forhandleren til slutbrugeren.

Skader opstået på grund af almindeligt slid, unormal eller ikke tilladt anvendelse, forkert vedligeholdelse eller overbelastning er ikke dækket af denne reklamationsret, det samme gælder tilbehør som batterier, pærer, klinger, indsats, poser osv.

I tilfælde af driftsfejl i garantiperioden skal produktet afleveres **IKKE DEMONTERET** med købebevis til forhandleren eller nærmeste autoriserede Ryobi serviceværksted.

De lovbestemte rettigheder i forbindelse med defekte produkter forringes ikke af denne reklamationsret.

N GARANTI - VILKÅR

Dette Ryobi produktet er garantert mot fabrikationsfeil og defekte deler i tjuoogfire (24) måneder fra datoen som står på fakturaen utstedt av forhandleren til slutbrukeren.

Garantien bortfaller dersom skadene er forårsaket av normal slitasje, unormal eller uautorisert bruk, eller overbelastning, og gjelder ikke tilbehør som batterier, lyspærer, blad, bits, poser, osv.

I tilfelle funksjonsfeil under garantiperioden, skal produktet leveres i **UDEMONTERT** tilstand sammen med kjøpsbeviset til forhandler eller til nærmeste autoriserte Ryobi servicesenter.

Dine lovmessige rettigheter med hensyn til defekte produkter er ikke påvirket av denne garantien.

FIN TAKUUEHDOT

Tällä Ryobi-tuotteella on valmistusviat ja vialliset osat kattava vuoden (24 kk) takuu alkuperäiseen ostokuittiin tai laskuun merkitystä ostopäivästä lukien.

Takuu ei kata normaalisti kulumisesta, epänormaalisti tai kielletystä käytöstä tai ylikuormituksesta aiheutuneita vahinkoja eikä lisävarusteita kuten akkuja, polttimoita, teriä, pusseja jne.

Mikäli takuuaikana ilmaantuu toimintahäiriöitä, vie **PURKAMATON** tuote ostotodistuksineen myyjäisiikkeeseen tai lähimpään Ryobi-keskushuoltamoon.

Tämä takuu ei vaikuta viallisia tuotteita koskeviin lakiperusteisiin oikeuksiin.

GR ΟΡΟΙ ΕΓΓΥΗΣΗ

Αυτό το προϊόν Ryobi φέρει εγγύηση κατά των κατασκευαστικών ελαττωμάτων και των ελαττωματικών τμημάτων για μια διάρκεια εικοσιτεσσάρων (24) μηνών, από την ημερομηνία που αναφέρεται στο πρωτότυπο του τιμολογίου που καταρτίστηκε από τον μεταπωλητή για τον τελικό χρήστη.

Οι φυσιολογικές φθορές ή εκείνες που θα προκληθούν από μη φυσιολογική ή μη επιτρεπτή χρήση ή συντήρηση, ή από υπερφόρτιση δεν καλύπτονται από την παρούσα εγγύηση καθώς και τα εξαρτήματα όπως μπαταρίες, λάμπες, μύτες, σακούλες κλπ.

Σε περίπτωση κακής λειτουργίας κατά την περίοδο εγγύησης, παρακαλείστε να απευθύνετε το προϊόν **ΧΩΡΙΣ ΝΑ ΤΟ ΑΝΟΙΞΕΤΕ**, με την απόδειξη αγοράς, στον προμηθευτή σας ή στο κοντινότερο Κέντρο Τεχνικής Εξυπηρέτησης Ryobi.

Τα νόμιμα δικαιώματά σας που αφορούν στα ελαττωματικά προϊόντα δεν αμφισβητούνται από την παρούσα εγγύηση.

H A GARANCIA FELTÉTELEI

Ezt a Ryobi terméket huszonnégy (24) hónapig garantáljuk a gyártáshibák, valamint a készülékben található alkatrészek miatt jelentkező meghibásodás ellen. A garancia az eladó által, a vásárló számára készített, eredeti adás-vételi szerződésen feltüntetett dátumtól érvényes. A normális igénybevételből fakadó elhasználódás, a nem rendeltetésnek megfelelő használat vagy karbantartási művelet miatt fellépő, túlterhelés által okozott meghibásodásra nem terjed ki a garancia. A tartozékokra, mint például az akkumulátorra, izzókra, fűrófejekre, táskára, stb., a garancia szintén nem vonatkozik.

A garancia periódus alatt fellépő meghibásodás esetén, juttassa el **NEM SZÉTSZERELT ÁLLAPOTBAN** a Ryobi terméket a vásárlás és annak dátumát igazoló dokumentum kíséretében az eladóhoz vagy az Önhöz legközelebbi Ryobi Szerviz Központba.

A jelen garancia nem zárja ki a fogyasztási eszközökre vonatkozó jogszabályok által elrendelteteket.

CZ ZÁRUKA - ZÁRUČNÍ PODMÍNKY

Na tento výrobek značky Ryobi se poskytuje záruka po dobu 24 (dvaceti čtyř) měsíců od data uvedeného na faktuře nebo pokladním bloku, který koncový uživatel obdržel v prodejně při nákupu výrobku. Záruka se vztahuje na výrobní vady a vadné díly.

Záruka se nevztahuje na poškození výrobku způsobené jeho běžným opotřebením, nesprávným nebo neschváleným používáním, nesprávnou údržbou nebo přetížením. Uvedené záruční podmínky se plně vztahují i na příslušenství, jako akumulátory, žárovky, pilové listy, nástavce, vaky apod. V případě provozních problémů u výrobku v záruce kontaktujte nejbližší autorizovanou servisní opravnu výrobků Ryobi. K opravě je nutné předložit **NEDEMONTOVANÝ** výrobek spolu s fakturou nebo pokladním blokem.

Tato záruka nevylučuje případná další Vaše spotřebitelská práva týkající se výrobních závad, v souladu s platnými legislativními předpisy.

RU ГАРАНТИЯ – УСЛОВИЯ

Настоящая продукция RYOBI гарантирована от дефектов производства и дефектов изделий на 2 года со дня официального оформления покупки, указанного на оригинале счета, выписанного продавцом покупателю.

Повреждения, полученные в результате обычного износа, ненормального или запрещенного использования или обслуживания, а также перегрузкой, – не покрываются настоящей гарантией, также как и аксессуары, такие как батареи, лампочки, цокли, патроны, мешки и т.д. В случае поломки или неисправности в гарантийный период отшлите продукцию **НЕРАЗОБРАННОЙ** с подтверждением покупки Вашему продавцу или в ближайший Центр Технического Обслуживания Ryobi. Настоящая гарантия не влияет на Ваши законные права, по отношению к дефектной продукции.

RO GARANȚIE - CONDIȚII

Acest produs Ryobi este garantat în cazul vicilor de fabricație și pieselor cu defecte pentru o durată de douăzecișipatru (24) de luni, începând cu data facturii originale emisă de către comerciant utilizatorului final.

Deteriorările provocate prin uzură normală, print-o utilizare sau întretinere anormală sau neautorizată, sau prin forțarea utilajului sunt excluse din prezenta garanție acestea aplicându-se și accesoriilor ca baterii, becuri, lame, capete, saci, etc.

În caz de funcționare defectuoasă în perioada de garanție, vă rugăm să trimiteți produsul **NEDEMONTAT** împreună cu factura de cumpărare furnizorului dumneavoastră sau la Centrul Service Agreat Ryobi cel mai apropiat de dumneavoastră.

Drepturile dumneavoastră legale privind produsele defectuoase nu sunt alterate prin prezenta garanție.



WARUNKI GWARANCJI

Na niniejszy produkt Ryobi udzielona jest dwuletnia gwarancja na ukryte wady fabryczne oraz na zdefektowane części. Okres gwarancji dwudziestu czterech (24) miesięcy, zaczyna się od wiążącej daty widniejącej na oryginalnej faktury wystawionej przez sprzedawcę dla ostatecznego nabywcy. Gwarancja ta nie obejmuje zniszczenia wynikającego z normalnego zużycia, czy też uszkodzeń spowodowanych nadmierną eksploatacją, lub niewłaściwą konserwacją, czy nieodpowiednim użytkowaniem niezgodnym z przeznaczeniem. Wyłączone są z niej również akcesoria tj. akumulatory, żarówki, ostrza, końcówki, worki, itd.

W wypadku stwierdzenia złego funkcjonowania podczas okresu gwarancyjnego, prosimy o skierowanie **NIE ZDEMONTOWANEGO** produktu, wraz z dowodem zakupu do waszego dostawcy lub do najbliższego Autoryzowanego Punktu Serwisowego Ryobi.

Niniejsza gwarancja nie podważa przysługujących Państwu uprawnień dotyczących wadliwych produktów.



GARANCIJSKA IZJAVA

Vsi izdelki znamke Ryobi imajo garancijo za napake v izdelavi in neustrezne sestavne dele za obdobje 24-ih mesecev od datuma, ki je naveden na originalnem računu, ki ga je prodajalec izdal končnemu uporabniku.

Staranje, ki ga povzroča običajna raba in obraba izdelka, njegova nepooblaščenca ali neustrezna uporaba ali vzdrževanje, ali preobremenitev, je izvzeto iz te garancije. Enako velja tudi za dodatno opremo kot so baterijski vložki, žarnice, rezila, pribor, vrečke, ipd.

Če pride v garancijskem roku do napake v delovanju izdelka, vas prosimo, da ga **NERAZSTAVLJENEGA**, skupaj z dokazilom o nakupu, odnesete vašemu prodajalcu ali v najbližji Ryobi servisni center.

Ta garancija nikakor ne vpliva na vaše pravice, ki vam jih v zvezi z neustreznimi izdelki daje zakon.



UVJETI GARANCIJE

Ovaj Ryobi proizvod je pod garancijom za sve nedostatke unutar dvadeset i četiri (24) mjeseca od datuma koji se nalazi na originalnom računu koji je prodavač izdao krajnjem korisniku.

Oštećenja uzrokovana normalnom uporabom, neprikladnim ili nedozvoljenim korištenjem ili održavanjem ili pak prevelikim opterećenjem nisu uključena u ovu garanciju, kao ni dodaci poput baterija, žarulja, noževa, vrhova, torbi itd.

U slučaju da tijekom garancijskog razdoblja alat radi neispravno, proizvod koji **NISTE RASTAVLJALI** zajedno s dokazom o kupnji pošaljite vašem dobavljaču ili najbližem Ovlaštenom Ryobi servisu. Vaša prava koja se odnose na neispravne proizvode ovom se garancijom ne dovode u pitanje.



GARANTİ - ŞARTLAR

Bu Ryobi ürünü, üretim hatalarına karşı, satıcı tarafından son kullanıcıya verilmiş olan orijinal fatura tarihinden itibaren yirmidört (24) ay için garantilidir.

Normal kullanım sonucunda yıpranmalar, anormal yada izin verilmeyen kullanım yada bakım, yada aşırı yüklenme ve ayrıca bataryalar, ampuller, bıçaklar, yüksükler, torbalar gibi aksesuarlar sözkonusu garantinin dışındadır.

Garanti dönemi süresinde meydana gelen bir arıza durumunda, ürünü **SÖKMEĐEN** satınalma belgesi ile yetkili satıcınıza yada size en yakın Ryobi Yetkili Servis Merkezi'ne gönderiniz. Defolu mallara ilişkin yasal haklarınızı sözkonusu garantide bahis konusu edilmemiştir.

F	Niveau de pression acoustique Niveau de puissance acoustique Valeur d'accélération de la moyenne quadratique pondérée	98,5 dB(A) 109,5 dB(A) 12,6 m/s ²	GR	Επίπεδο ακουστικής πίεσης Επίπεδο ακουστικής ισχύος Τιμή επιτάχυνσης της σταθμισμένης μέσης τετραγωνικής τιμής	98,5 dB(A) 109,5 dB(A) 12,6 m/s ²
GB	Sound pressure level Sound power level Weighted root mean square acceleration value	98,5 dB(A) 109,5 dB(A) 12,6 m/s ²	H	Hangnyomás szint Hangerő szint A gyorsítás négyzetes súlyozott átlag értéke	98,5 dB(A) 109,5 dB(A) 12,6 m/s ²
D	Schalldruckpegel Schalleistungspegel Beschleunigung des quadratischen gewogenen Mittelwerts	98,5 dB(A) 109,5 dB(A) 12,6 m/s ²	CZ	Hladina akustického tlaku Hladina akustického výkonu Vážená efektivní hodnota zrychlení	98,5 dB(A) 109,5 dB(A) 12,6 m/s ²
E	Nivel de presión acústica Nivel de potencia acústica Valor de aceleración de la media cuadrática ponderada	98,5 dB(A) 109,5 dB(A) 12,6 m/s ²	RU	Уровень акустического давления Уровень акустической мощности Величина ускорения средней умеренной квадратической	98,5 дБ(A) 109,5 дБ(A) 12,6 м/сек ²
I	Livello di pressione acustica Livello di potenza acustica Valore d'accelerazione della media quadratica ponderata	98,5 dB(A) 109,5 dB(A) 12,6 m/s ²	RO	Nivel de presiune acustică Nivel de putere acustică Valoarea accelerației medie pătratică ponderată	98,5 dB(A) 109,5 dB(A) 12,6 m/s ²
P	Nível de pressão acústica Nível de potência acústica Valor da aceleração da média quadrática ponderada	98,5 dB(A) 109,5 dB(A) 12,6 m/s ²	PL	Poziom ciśnienia akustycznego Poziom mocy akustycznej Wartość skuteczna przyspieszenia średnia kwadratowa ważona	98,5 dB(A) 109,5 dB(A) 12,6 m/s ²
NL	Geluidsdrukniveau Geluidsvermogensniveau Versnellingswaarde van de gewogen effectieve waarde	98,5 dB(A) 109,5 dB(A) 12,6 m/s ²	SLO	Nivo zvočnega pritiska Nivo zvočne moči Efektivna vrednost uteženega pospeška	98,5 dB(A) 109,5 dB(A) 12,6 m/s ²
S	Ljudtrycksnivå Ljudeffektivnivå Accelerationsvärde för viktat kvadratisk medeltal	98,5 dB(A) 109,5 dB(A) 12,6 m/s ²	HR	Razina akustičnog pritiska Razina jačine zvuka Ponderirana vrijednost ubrzanja RMS-a	98,5 dB(A) 109,5 dB(A) 12,6 m/s ²
DK	Lydtrykniveau Lydstyrkeniveau Accelerationsværdi for vægtet kvadratmiddeltal	98,5 dB(A) 109,5 dB(A) 12,6 m/s ²	TR	Akustik basınç düzeyi Ses güç seviyesi Ortalama temel vasat ağırlığın hızlanma değeri	98,5 dB(A) 109,5 dB(A) 12,6 m/s ²
N	Lydtrykknivå Lydstyrkenivå Veid kvadratisk middelverdi av akselerasjonsverdien	98,5 dB(A) 109,5 dB(A) 12,6 m/s ²			
FIN	Äänenpainetaso Äänen tehotaso Painotettu kiihdytyksen tehollisarvo	98,5 dB(A) 109,5 dB(A) 12,6 m/s ²			

- (F) DÉCLARATION DE CONFORMITÉ**
Nous déclarons sous notre propre responsabilité que ce produit est en conformité avec les normes ou documents normalisés suivants:
89/336/EEC, 98/37/EC, EN 50260, EN 61000, EN 55014
- (GB) DECLARATION OF CONFORMITY**
We declare under our sole responsibility that this product is in conformity with the following standards or standardized documents:
89/336/EEC, 98/37/EC, EN 50260, EN 61000, EN 55014
- (D) KONFORMITÄTSEKTLÄRUNG**
Wir erklären in alleiniger Verantwortung, dass dieses Produkt mit den folgenden Normen oder normativen Dokumenten übereinstimmt:
89/336/EEC, 98/37/EC, EN 50260, EN 61000, EN 55014
- (E) DECLARACIÓN DE CONFORMIDAD**
Declaramos bajo nuestra exclusiva responsabilidad que este producto es conforme a las siguientes normas o documentos normalizados:
89/336/EEC, 98/37/EC, EN 50260, EN 61000, EN 55014
- (I) DICHIARAZIONE DI CONFORMITÀ**
Dichiariamo, assumendo la piena responsabilità di tale dichiarazione, che il prodotto è conforme alle seguenti normative e ai relativi documenti:
89/336/EEC, 98/37/EC, EN 50260, EN 61000, EN 55014
- (P) DECLARAÇÃO DE CONFORMIDADE**
Declaramos, sob nossa exclusiva responsabilidade, que este produto cumpre as seguintes normas ou documentos normativos.
89/336/EEC, 98/37/EC, EN 50260, EN 61000, EN 55014
- (NL) CONFORMITEITSVERKLARING**
Wij verklaren op onze eigen verantwoordelijkheid dat dit product voldoet aan de volgende normen of normatieve documenten.
89/336/EEC, 98/37/EC, EN 50260, EN 61000, EN 55014
- (S) FÖRSÄKRAN**
Vi intygar och ansvarar för, att denna produkt överensstämmer med följande normer och dokument.
89/336/EEC, 98/37/EC, EN 50260, EN 61000, EN 55014
- (DK) KONFORMITETSEKTLÆRING**
Vi erklærer på eget ansvar, at dette produkt er i overensstemmelse med følgende standarder eller standardiseringsdokumenter:
89/336/EEC, 98/37/EC, EN 50260, EN 61000, EN 55014
- (N) SAMSVARSEKTLÆRING**
Vi erklærer på eget ansvar at dette produktet er i samsvar med følgende standarder og normative dokumenter:
89/336/EEC, 98/37/EC, EN 50260, EN 61000, EN 55014
- (FIN) TODISTUS STANDARDIN-MUKAISUUDESTA**
Todistamme läten ja vastaamme yksin siltä, että tämä tuote on alla lueteltujen standardien ja standardoimis-asiakirjojen vaatimusten mukainen.
89/336/EEC, 98/37/EC, EN 50260, EN 61000, EN 55014
- (GR) ΔΗΛΩΣΗ ΣΥΜΜΟΡΦΩΣΗΣ**
Δηλώνουμε υπευθύνως ότι το προϊόν αυτό συμμορφούται προς τα ακόλουθα πρότυπα ή τυποποιημένα έγγραφα:
89/336/EEC, 98/37/EC, EN 50260, EN 61000, EN 55014
- (HU) MEGFELELŐSÉGI NYILATKOZAT**
Felelősségünk teljes tudatában kijelentjük, hogy a jelen termék megfelel a következő szabványoknak és előírásoknak:
89/336/EEC, 98/37/EC, EN 50260, EN 61000, EN 55014
- (CZ) PROHLÁŠENÍ O SHODĚ**
Prohlašujeme na svou zodpovědnost, že tento výrobek splňuje požadavky níže uvedených norem a závazných předpisů:
89/336/EEC, 98/37/EC, EN 50260, EN 61000, EN 55014
- (RU) ЗАЯВЛЕНИЕ О СООТВЕТСТВИИ СТАНДАРТАМ**
Мы со всей ответственностью заявляем, что настоящая продукция соответствует ниже следующим нормам и документам:
89/336/EEC, 98/37/EC, EN 50260, EN 61000, EN 55014
- (RO) DECLARAȚIE DE CONFORMITATE**
Declarăm, cu toată responsabilitatea că acest produs este conform cu normele sau documentele următoare:
89/336/EEC, 98/37/EC, EN 50260, EN 61000, EN 55014
- (PL) DEKLARACJA ZGODNOŚCI**
Z całą odpowiedzialnością oświadczamy, że niniejszy produkt jest zgodny z normami czy też znormalizowanymi dokumentami wymienionymi poniżej:
89/336/EEC, 98/37/EC, EN 50260, EN 61000, EN 55014
- (SLO) IZJAVA O SKLADNOSTI**
Z lastno odgovornostjo izjavljamo, da je ta izdelek skladen z zahtevami sledečih standardov ali standardiziranih dokumentov:
89/336/EEC, 98/37/EC, EN 50260, EN 61000, EN 55014
- (HR) DEKLARACIJA O USKLA-ENOSTI**
Odgovorno izjavljujemo da je ovaj proizvod u skladu sa sljedećim normama ili normiranim dokumentima:
89/336/EEC, 98/37/EC, EN 50260, EN 61000, EN 55014
- (TR) UYGUNLUK BELGESİ**
Sorumluluğumuz altında beyan ederizki bu ürün aşağıdaki normlar yada norm belgeleri ile uyumludur:
89/336/EEC, 98/37/EC, EN 50260, EN 61000, EN 55014

Machine: **CORDLESS 3-SPEED IMPACT DRILL DRIVER**

Type: **CDI-1803M**

Name of company: Ryobi Technologies FRANCE S.A.
Address: Z.I. PARIS NORD II
209, RUE DE LA BELLE ÉTOILE
95700 ROISSY EN FRANCE
FRANCE
Tel: +33-1-49 90 14 14 Fax: +33-1-49 90 14 29

Name/Title: Michel Violleau
Président/Directeur Général

Signature:



Name of company: Ryobi Technologies (UK) Limited.
Address: ANVIL HOUSE, TUNS LANE,
HENLEY-ON-THAMES,
OXFORDSHIRE, RG9 1SA
UNITED KINGDOM
Tel: +44-1491-848700 Fax: +44-1491-848701

Name/Title: Mark Pearson
Managing Director

Signature:



Name of company: Ryobi Technologies GmbH
Address: ITTERPARK 7
D-40724 HILDEN
GERMANY
Tel: +49-2103-29580 Fax: +49-2103-295829

Name/Title: Walter Martin Eichinger
General Manager

Signature:

